



Parts Manual

EN 280:2013/A1:2015

S1413II

**Mobile Elevating Work
Platforms**

PART NO. S141302WDQ0CH100T-G1

***R145200127-*R145200138**

***R145200199-*R145200226**

Spare parts and services:

For the owner of the machines of LGMG, only the spare parts and services of LGMG can make your machine to better maintain the original features.

Only LGMG can provide you with the most appropriate matching parts and the most professional maintenance personnel to guarantee sustainable high productivity and longer service life of machine.

2025-04 version 1 Printed 1

LINGONG HEAVY MACHINERY CO.,LTD.

Add: 2676 Kejia Road, high tech Zone, Jinan City, Shandong Province, China

Tel : 86-0531-67601108

Fax : 86-0531-67601108

Service Tel : 86-0531-67605016

Web : www.lgmg.com.cn

FOREWORD

This parts manual aims to help users to operate, repair and maintain the machine in the use of machine for ease of reference. It can also help the users to understand the structure and assembly relation of the machine.

The Parts Manual has made it clear for users to look up the drawings of different parts and assembly relations systematically. After assembly, disassembled components, such as welding parts or riveted assemblies, are marked only by their codes expect for their applied parts.

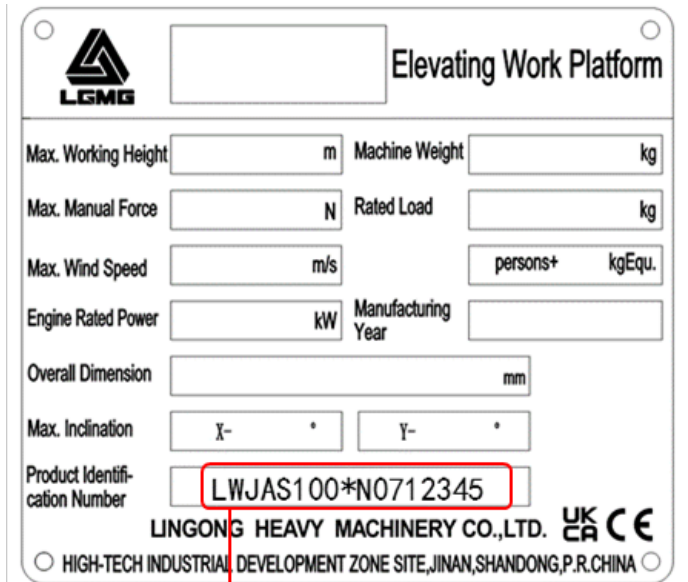
LGMG has endeavored to deliver the highest degree of accuracy possible. However, continuous improvement of our product is a LGMG Policy. Therefore, product specifications are subject to change without notice. When ordering the spare parts, please inform us of the manufacturing year and product identification number of the machine.

Readers are encouraged to notify LGMG of errors and send in suggestions for improvement. All communications will be carefully considered for future printings of this and all other manuals.

PIN and Virtual Code of the Whole Machine Description

Please find the information as follows:

- Locate the nameplate from the product
- Get the PIN from the nameplate as shown below
- Get the virtual code of the whole machine from PIN



The nameplate for an Elevating Work Platform includes the following fields:

Max. Working Height	<input type="text"/>	m	Machine Weight	<input type="text"/>	kg
Max. Manual Force	<input type="text"/>	N	Rated Load	<input type="text"/>	kg
Max. Wind Speed	<input type="text"/>	m/s		<input type="text"/>	persons+ kgEqu.
Engine Rated Power	<input type="text"/>	kW	Manufacturing Year	<input type="text"/>	
Overall Dimension	<input type="text"/> mm				
Max. Inclination	<input type="text"/>	°	<input type="text"/>	<input type="text"/>	°
Product Identification Number	<input type="text" value="LWJAS100*N0712345"/>				

LINGONG HEAVY MACHINERY CO.,LTD. UK CE
HIGH-TECH INDUSTRIAL DEVELOPMENT ZONE SITE, JINAN, SHANDONG, P.R. CHINA

PIN → LWJAS100*N0712345 → The virtual code of the whole machine

How to Order Parts

Please be prepared with the following information when ordering replacement parts for your LGMG product.

- Machine model number
- Machine serial number
- Part number
- Part description and quantity
- Purchase order number
- "Ship to" Address
- Desired method of shipment
- Name and telephone number of the authorized distributor in your area

If you don't know the name of your authorized distributor, or if your area is not currently serviced by an authorized distributor, please call LGMG Industries.

CONTENTS

B Decals

B3401-2534003236.S1E-G2	Decals installation-S1413II	2
-------------------------	---------------------------------------	---

C Drive Chassis Components

C0900-2519000270.S1B-G4	Pothole protection mechanism (LH)	8
C0401-2504000001.B1B	FR axle assy.	12
C1600-2516004072.S1B	Chassis assy	14
C1100-4120001127.S	Brake release valve manifold 960020A10AAAA	16
C8500-2585000157.S1A	Battery box elec assy.	18
C1800-2518002312-G1	Oil tank side assy.	22
C0900-2519000272.S-G1	Pothole protection mechanism	26
C2900-2529000279.S2A-G1	Ladder assy	28
C1100-2506000095.S1B1-G1	Service brake assy	30
C1800-2518002260.S1A-G2	Battery side assy	32
C0901-2519000271.S1B-G4	Pothole protection mechanism (RH)	34
C1200-2517000360.S1C-G1	Steering mechanism	38
C1700-2529000278.S2A-G1	Covering accessories assy	40
C1900-2519000340.S1A-G1	Shaft fixing module	42
C2900-2529002319.S1A-G1	Covering assy	44
C3200-2532002565.S1A-G2	Chassis elec assy	46
C0900-2519000316.S-G2	Pusher assy	48
C1100-4120708309	Platform control valve manifold ST6017-AE00	50
C1800-2518002313-G1	Battery and oil tank side	52

D Turntable Components

D1600-2528000200.S-G1	Counterweight assy	56
-----------------------	------------------------------	----

E Scissor(Boom Structure) Components

E2000-2520003243.S1B	4th inner arm assy	60
E1300-2520002530.S1B	Cable routing plate assy	62
E2000-2520003251.S1B	6th outer arm assy	64
E1300-2520000044.B2D-G1	Safety prop.	66
E2000-2520002513.S1B-G1	Cable routing plate assy	68
E1300-2520003431.S1A-G1	Scissor subassy	70
E2000-2520002514.S1B	Cable routing plate assy	72
E2000-2520003236.S1B	3rd outer RH arm assy.	74
E2000-2520003233.S1B	3rd outer LH arm assy	76
E2000-2520003245.S1B	5th inner arm assy	78
E2000-2520003250.S1B	6th inner arm assy	80
E1300-2520003432.S1D-G1	Scissor assy.	82
E1300-2520003221.S1B	1st inner arm assy	88
E2000-2520003238.S1B	3rd inner arm assy	90

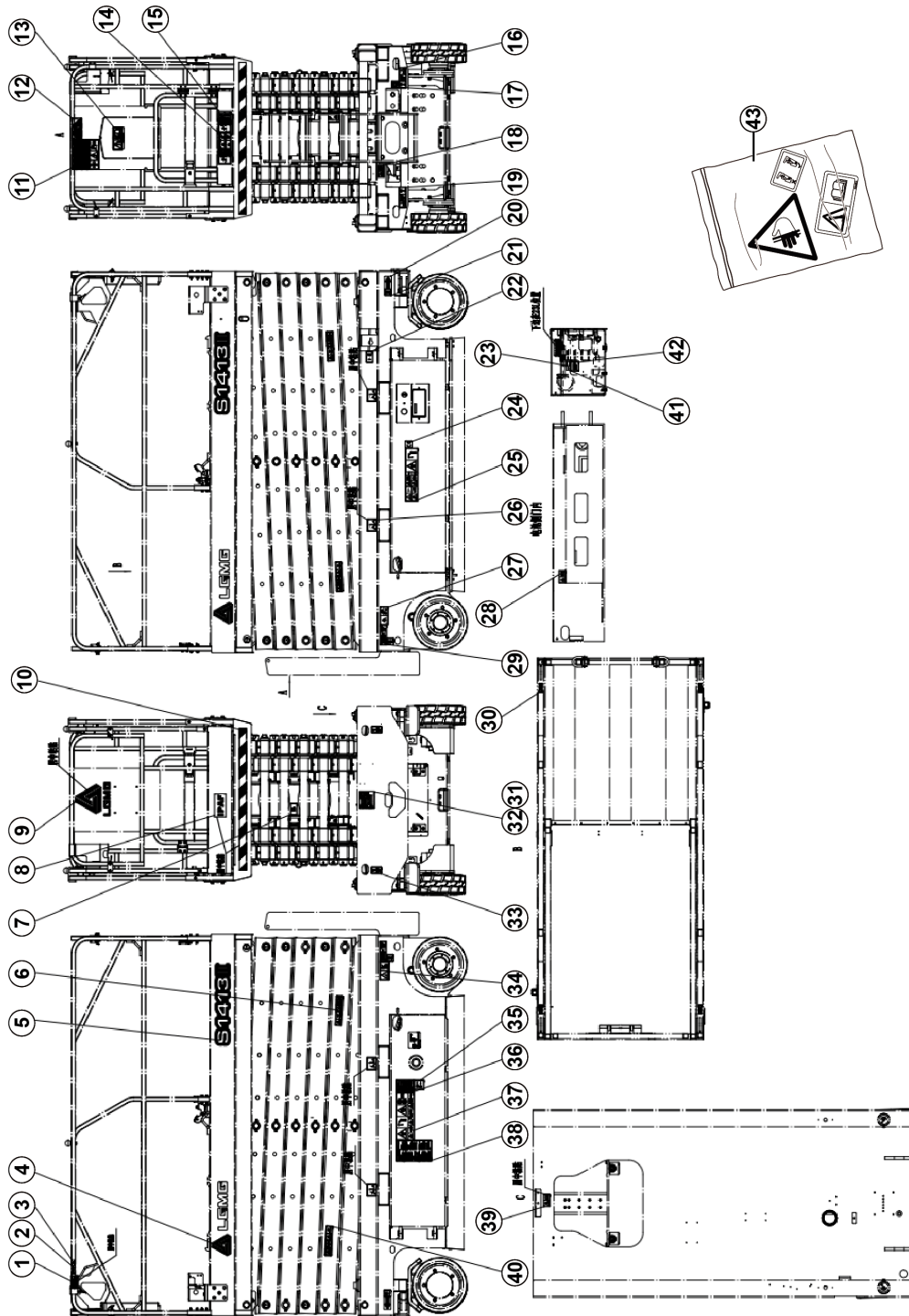
E1300-2520003231.S1B	2nd inner arm assy	92
E1300-2520002517.S1B	Cable routing plate assy	94
F Platform Components		
F2100-2521007316.S1A-G1	Main platform assy.	98
F2100-2521007405.S1A-G1	Platform assy	100
F2103-2521007320.S1A-G3	Guardrail assy	102
F2100-2521006886.S1A-G1	PCU bracket.	104
F2100-2521006635.S1A-G1	Plug fixing assy	106
F2100-2521003865.S-G2	Half-height swing gate assy	108
F2100-2521003593.S2A-G1	Wheel assy.	110
F2100-2521004773.S1B-G4	Extension platform assy	112
H Hydraulic Hose Routing and Fittings		
H2402-4120703742	Hyd cyl valve manifold ST4846-AC0A	116
H0700-2507000884.S1C-G1	Traveling motor assy	118
H2300-4120001488-G1	Gear pump assy A101098620 (10486)	122
H2401-4120704504	Lift hyd cylinder assy (10570)	124
H2300-2507000634.S1A-G2	Steering hyd assy	126
H0700-2507000885.S1A-G1	Traveling hyd assy.	128
H2300-4120001128-G2	Filter assy SP-06*10	130
H2301-4120704747-G1	Steering hyd cyl assy (10570)	132
H2401-4120704503	Lift hyd cylinder assy (10570)	134
H2400-2508000615.S-G1	Emergency down cable assy	136
H2300-4120704261	Traveling motor assy 530395T3531AAAAA	138
H0800-2508000462.S1C-G2	Lift hyd assy	142
J Accessories		
J8600-2586000003.S1A-G1	Power to platform assy	148
J3100-4130705184-G2	PCU V8 (10553).	150
J0000-2500000382-G3	Schematic.	154
J3000-2530001555.S1A-G1	Control elec assy	156
J3300-2533000753.S-G1	Power cable RVV-NBR	160
J3300-2533001357.S1B-G1	Platform elec sys	162
Part number index		165

B

Decals

B3401-2534003236.S1E-G2

Decals installation-S1413II

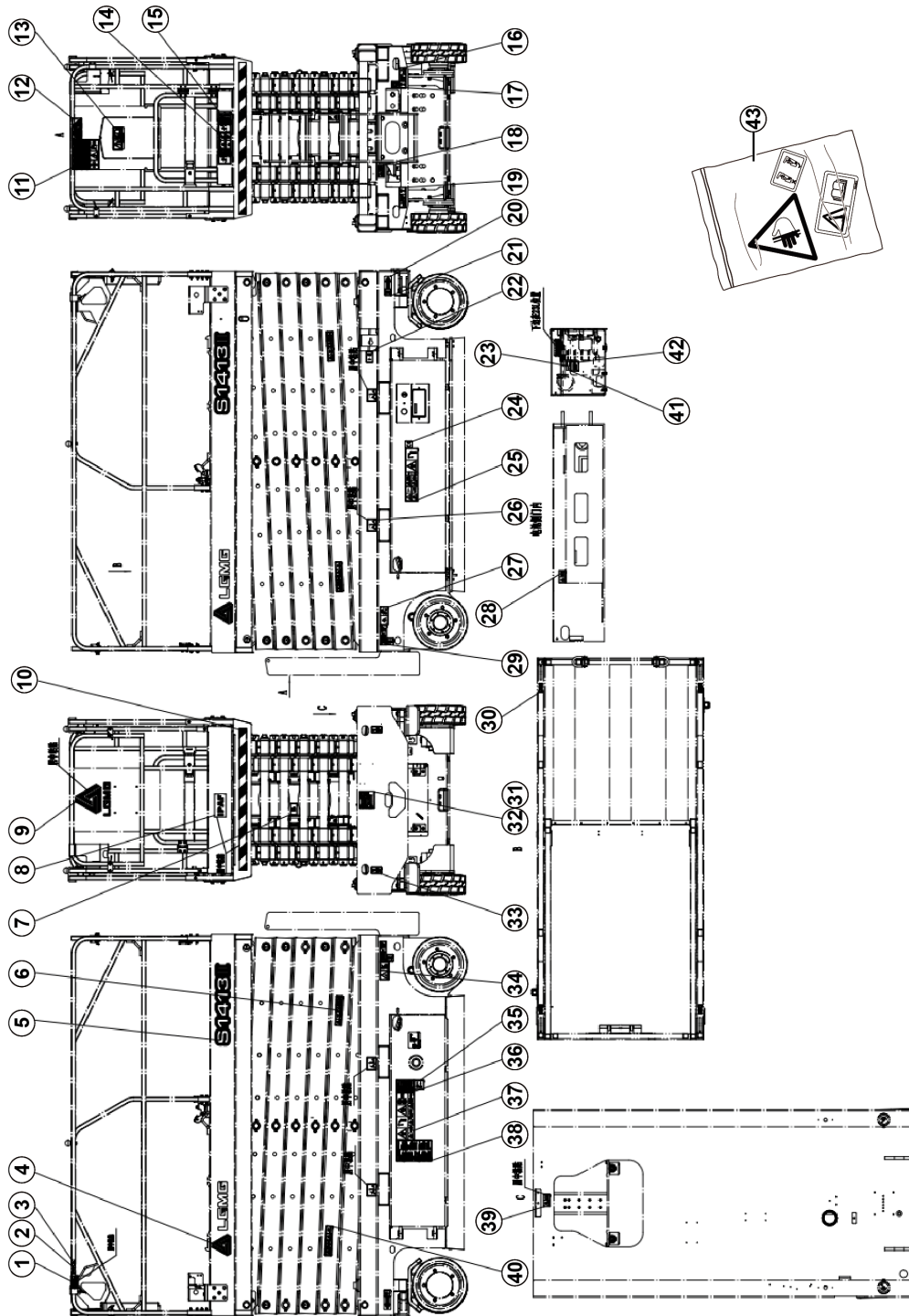


P3401-2534003236.S1E

Item	Part No.	Name	Qty.	Remark
1	25340007091	Decal-No hot pull out & insert	1	
2	25340036411	Decal-Rail position decal	1	
3	25340036541	Decal-Finger pinch points	1	
4		Decal-LOGO-High 130		For illustration
5	25340034331	Decal-Model S1413II	2	
6	25340000191	Decal-Stay away from machine warning	4	
7		Decal-Fork safety arm decal		For illustration
8	25340002721	Decal-IPAF decal	1	
9		Decal-LOGO-High 240		For illustration
10		Warning wire		For illustration
11	25340020731	Decal-FR column decal	1	
12	25340033361	Decal-Toggle alert	1	
13		Decal-Read the instructions decal		For illustration
14	25340002831	Decal-Platform security warning	1	
15		Decal-Max. manual force decal		For illustration
16	25340019691	Decal-Telehandler (RH)	1	
17	25340040751	Decal-Battery charging decal (10.5A)	1	
18	25340036241	Decal-Brake release safety warning	1	
19	25340019681	Decal-Telehandler (LH)	1	
20		Decal-Travel direction		For illustration
21	25340015061	Decal-Wheel load 1350kg	4	
22	25340000341	Decal-Emergency descent decal	1	

B3401-2534003236.S1E-G2

Decals installation-S1413II



P3401-2534003236.S1E

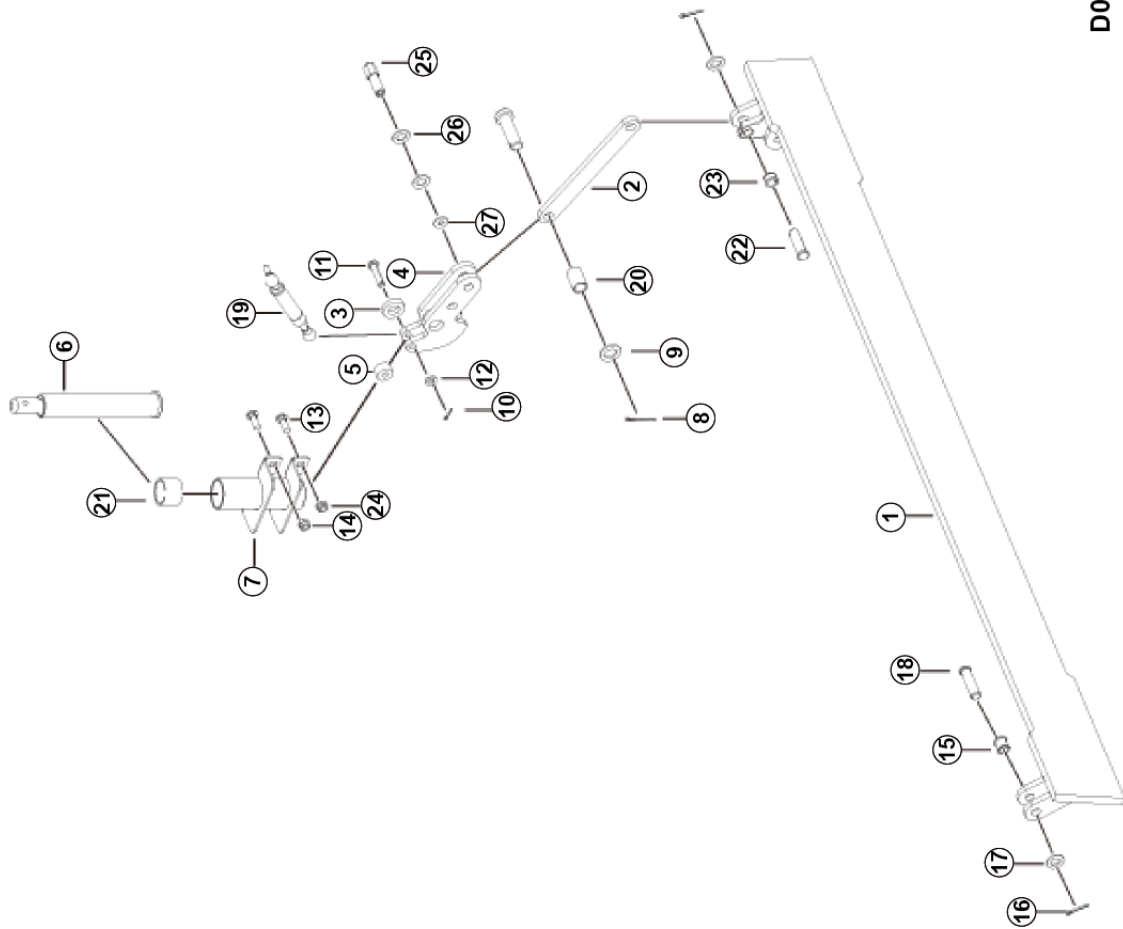
Item	Part No.	Name	Qty.	Remark
23		Decal-Oil level decal		For illustration
24		Decal-CE decal		For illustration
25	25340019731	Decal-Fuel tank side decal	1	
26		Decal-Telehandler		For illustration
27	25340036531	Decal-Slope driving	1	
28	25340002471	Decal-ELEC shock hazard decal	1	
29	25340019721	Decal-Transport	2	
30		Decal-Lanyard anchorage point		For illustration
31	25340031042	Complete machine nameplate (CE)	1	
32	4019010341	Rivet GB12618.4-4.8*16	4	
33	25340021011	Decal-Lifting decal	2	
34		Decal-ELEC shock fire warning		For illustration
35	25340019211	Decal-Turn off the power	1	
36		Decal-Warning		For illustration
37	25340021031	Decal-Battery side decal	1	
38		Decal-Danger decal		For illustration
39	25340000151	Decal-Risk of tipping	1	
40	25340034781	Decal-Finger pinch points	1	
41	25340042181	Decal-HV32 hyd oil decal	1	
42	25340042011	Decal-No mixing of hyd oil (English)	1	
43	4190711323	Decal kit-S1413II	1	

C

Drive Chassis Components

C0900-2519000270.S1B-G4

Pothole protection mechanism (LH)

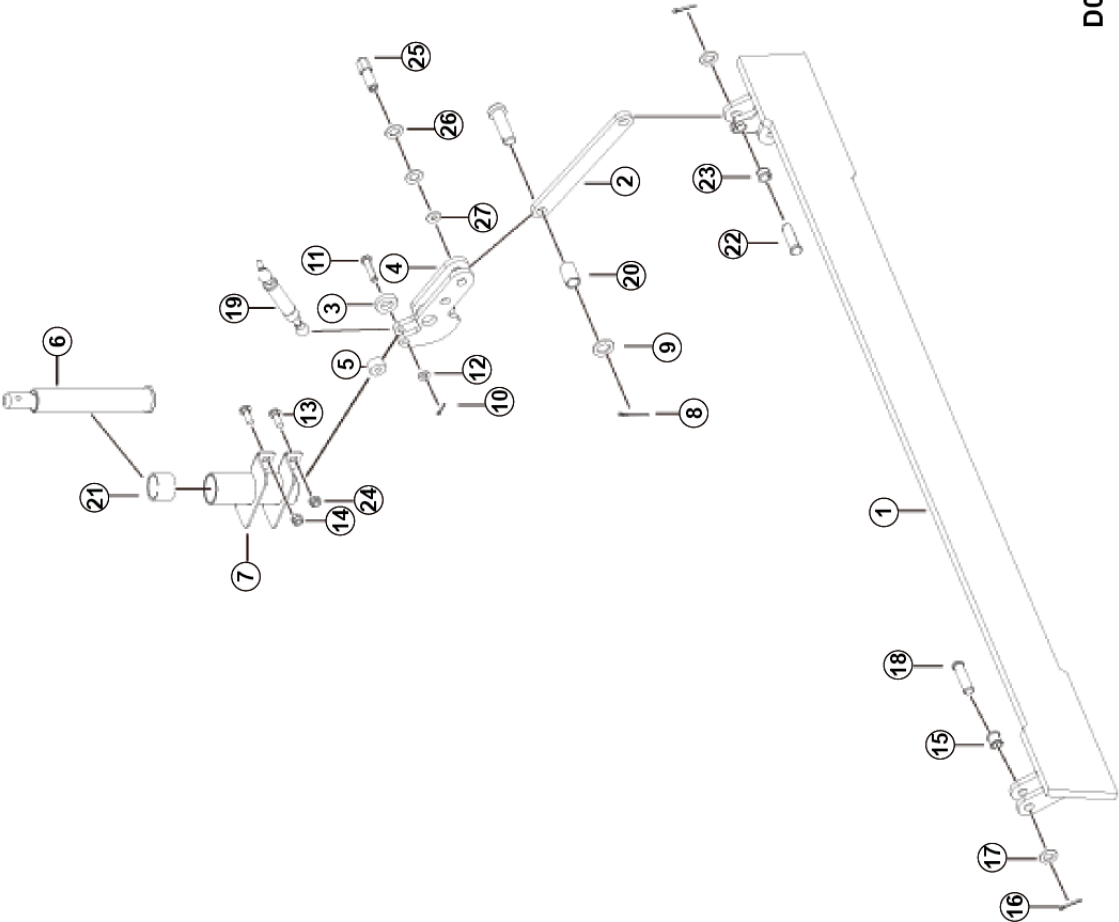


D0900-2519000270.S1B

Item	Part No.	Name	Qty.	Remark
1	25190002685	LH backplate	1	
2	25190000091	Connecting rod	1	
3	25190000201	Spacer sleeve	1	
4	25190000721	Welded connecting rod assy	1	
5	25190000221	Roller	1	
6		Finale assy		For illustration
7	25190003402	Shaft fixing module	1	
8	4016010136	Pin GB91-4*45flZnyc-Q235A-480	1	
9	4015010338	Washer GB97.1-20flZnyc-300HV-480	1	
10	4016010138	Pin GB91-3.2*26flZnyc-Q235A-480	1	
11	25190000231	Pin 10	1	
12	4015010339	Washer GB97.1-10flZnyc-300HV-480	1	
13	4011011165	Bolt GB14-M10*35flZnyc-8.8-480	4	
14	4013010296	Nut GB889.1-M10flznyc-8	4	
15	25190000991	Shaft sleeve	1	
16	4016010137	Pin GB91-4*28flZnyc-Q235A-480	3	
17	4015010342	No longer used-Washer GB97.1-16flZnyc-300HV-480	3	
18	25190000981	Pin	1	
19	25190000212	Gas spring	1	
20	25190000181	Shaft sleeve 20	1	
21	25200000141	Shaft sleeve	2	
22	25190000242	Pin 16	2	

C0900-2519000270.S1B-G4

Pothole protection mechanism (LH)

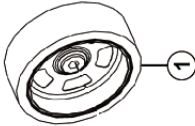


D0900-2519000270.S1B

C0401-2504000001.B1B

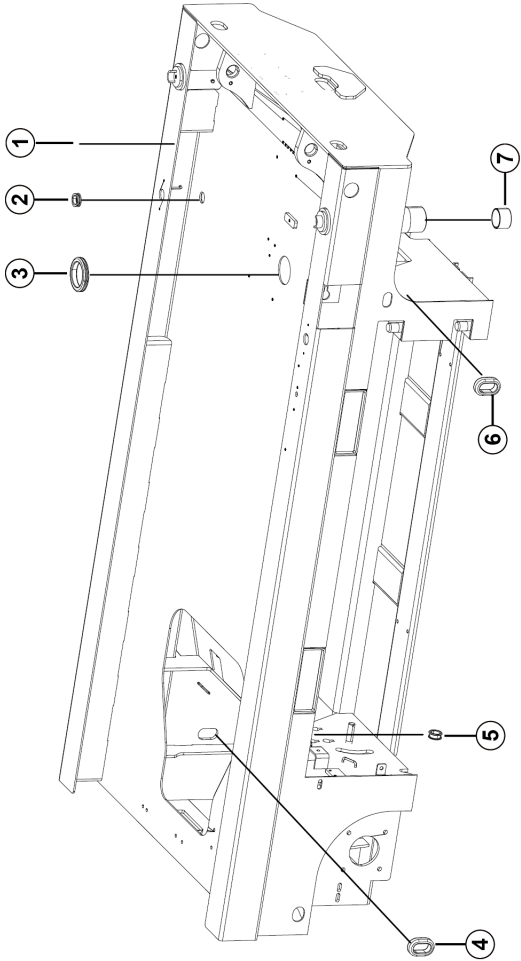
FR axle assy

B0401-2504000001.B1B



C1600-2516004072.S1B

Chassis assy

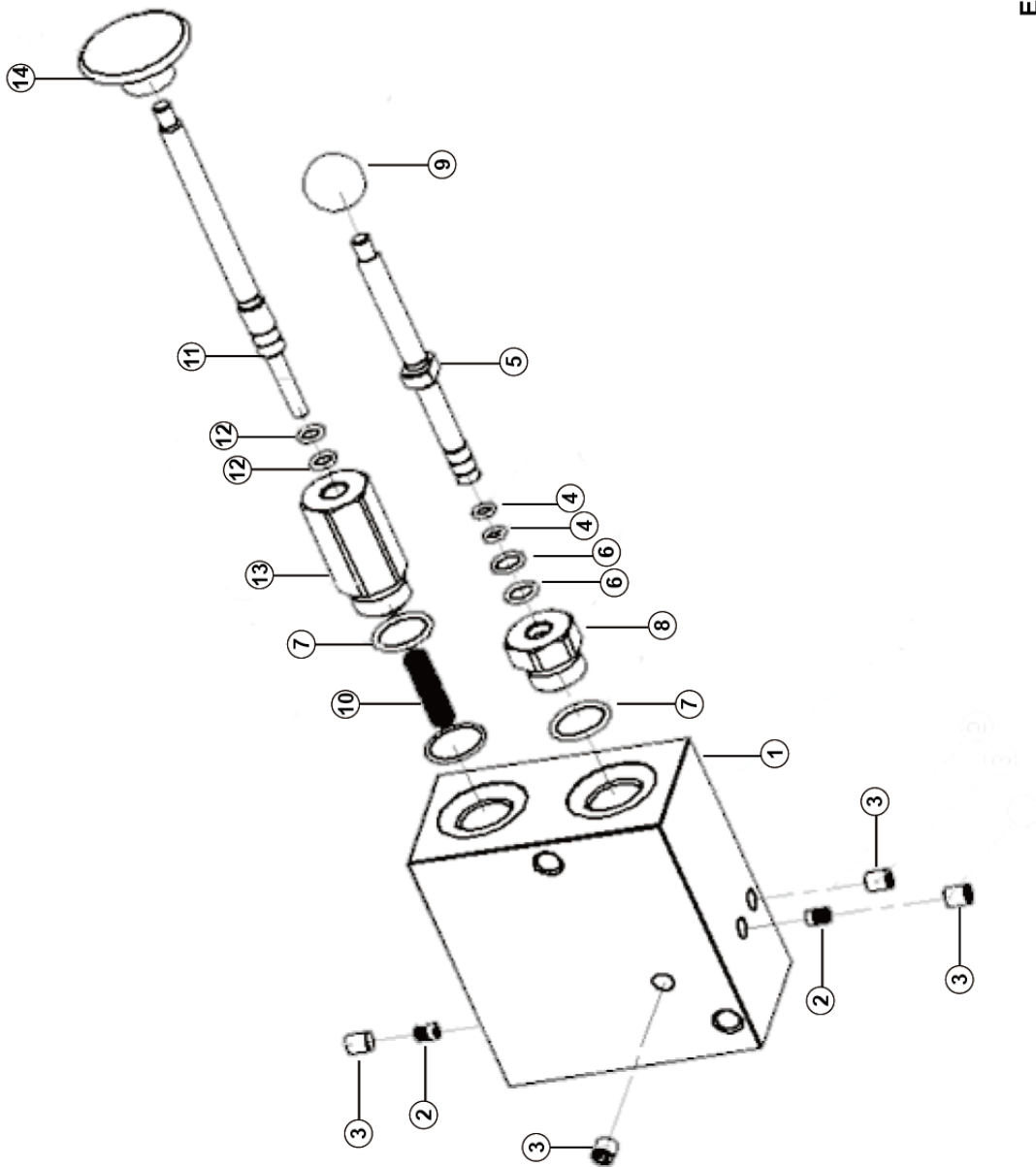


D1600-2516004072.S1B

C1100-4120001127.S

Brake release valve manifold 960020A10AAA

E1100-4120001127.S



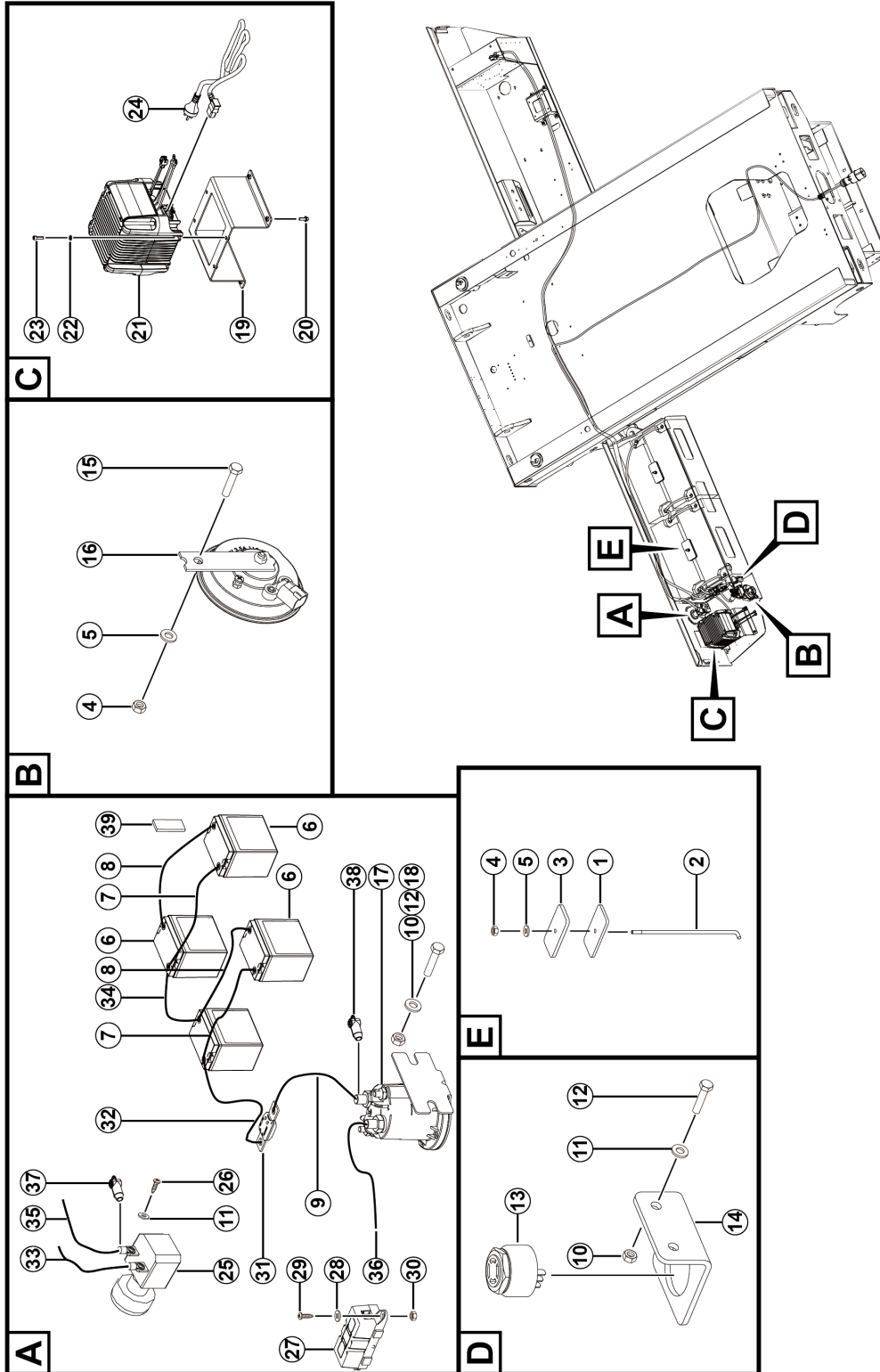


Drive Chassis Components

Item	Part No.	Name	Qty.	Remark
1	4120001127001	Valve block 99*88*50	1	
2	4120001127002	Check valve PF5.5	2	
3	4120001127003	Steel ball plug QD07	4	
4	4120001127004	O-ring 4.5*1.8	2	
5	4120001127005	Control lever D14*106	1	
6	4120001127006	O-ring 7.59*2.65	2	
7	4120001127007	O-ring 16.36*2.21	2	
8	4120001127008	Valve sleeve S22*20.5	1	
9	4120001127009	Handle ball M6-20	1	
10	4120001127010	Spring 0.9*8*73.4	1	
11	4120001127011	Pressure regulating rod D9X136	1	
12	4120001127012	O-ring 5.7*1.9	2	
13	4120001127013	Valve sleeve S22*49	1	
14	4120001127014	Handle M6-38	1	

C8500-2585000157.S1A

Battery box elec assy

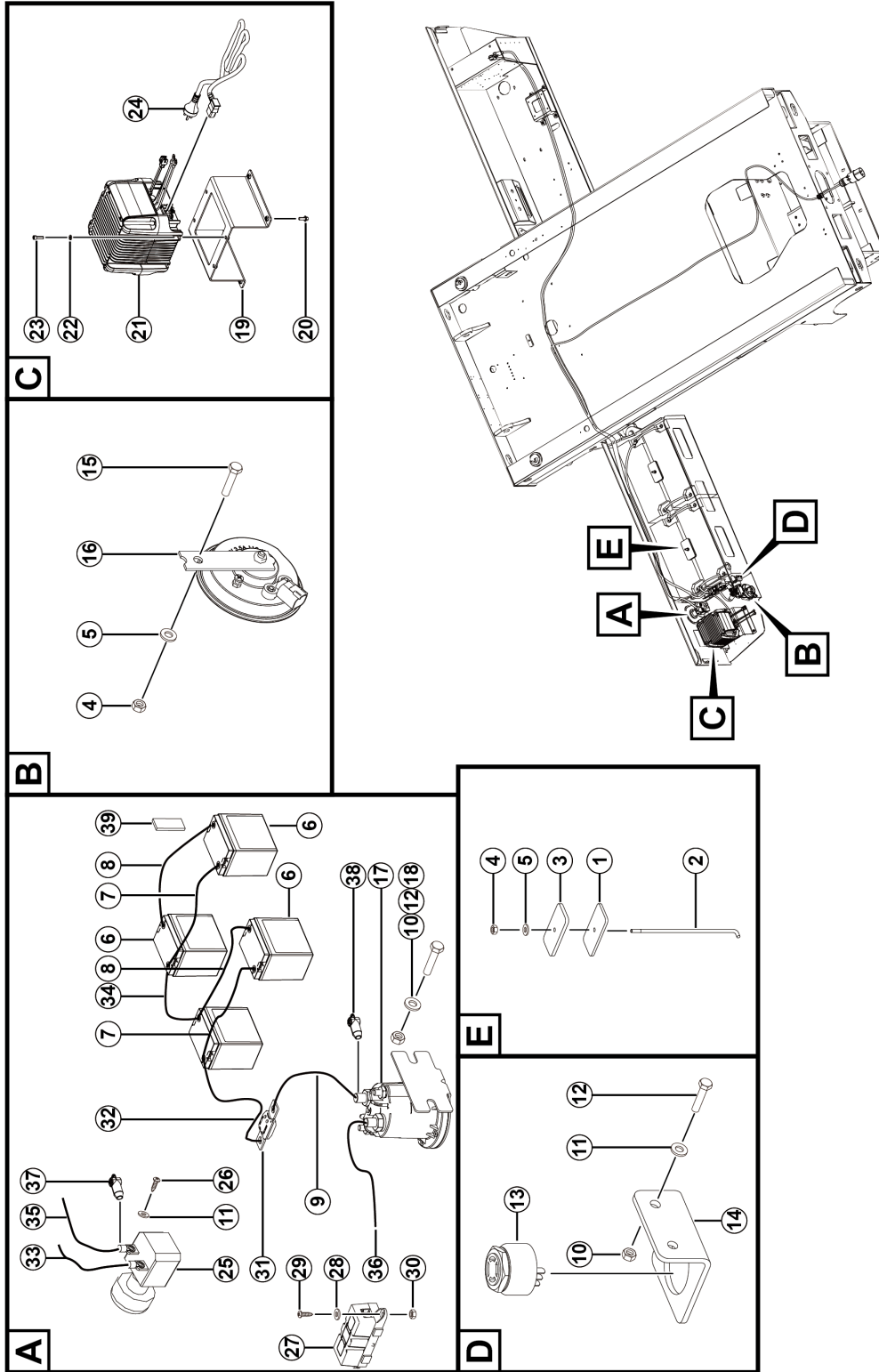


M8500-2585000157.S1A

Item	Part No.	Name	Qty.	Remark
1	25180002241	Rubber plate	2	
2	25180013582	Threaded rod	2	
3	25180002251	Platen	2	
4	4013010297	Nut GB889.1-M8flznyc-8-480	3	
5	4015010280	Washer GB97.1-8flZnyc-300HV-480	3	
6	4130702481	Battery HOPPECKE-130Ah	4	
7	4045010152	Power cable LZB003 C8*350*1.4-R	2	
8	4045010090	Power cable LZB003 C8*360*1.4	2	
9	4045010071	Power cable LZB003 C8*150*1.4	1	
10	4013010305	Nut GB889.1-M5flznyc-8-480	4	
11	4015010283	Washer GB97.1-5flZnyc-300HV-480	4	
12	4011011061	Bolt GB16674.1-M5*16flZnyc-8.8-480	4	
13	4130000797	Buzzer CY-3631-24V	1	
14	25320006271	Buzzer bracket	1	
15	4011010994	Bolt GB16674.1-M8*25flZnyc-8.8-480	1	
16	4130000906	Monophonic disc woofer	1	
17	4130702085	Main contactor 24V	1	
18	4015010345	Washer GB96.1-5flZnyc-300HV-480	2	
19	25320013901	Charger bracket wldmt	1	
20	4011010735	Bolt GB16674.1-M6*16flZnyc-8.8-480	4	
21	4130704059	Charger GPSC3024	1	
22	4015010284	Washer GB97.1-6flZnyc-300HV-480	4	

C8500-2585000157.S1A

Battery box elec assy



M8500-2585000157.S1A



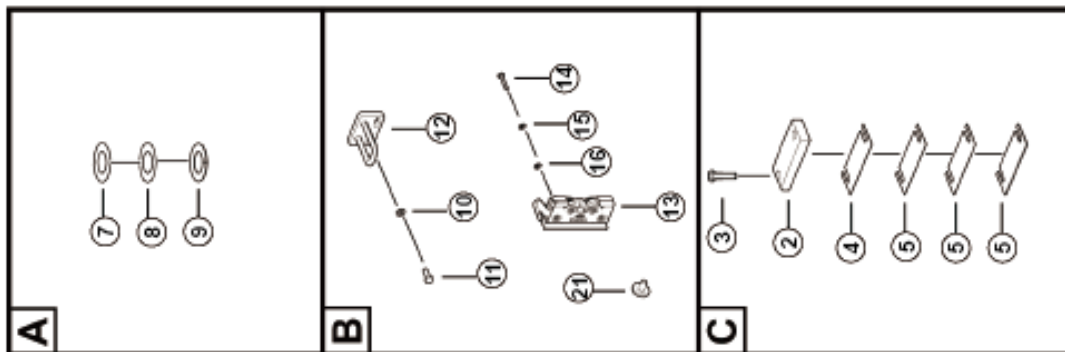
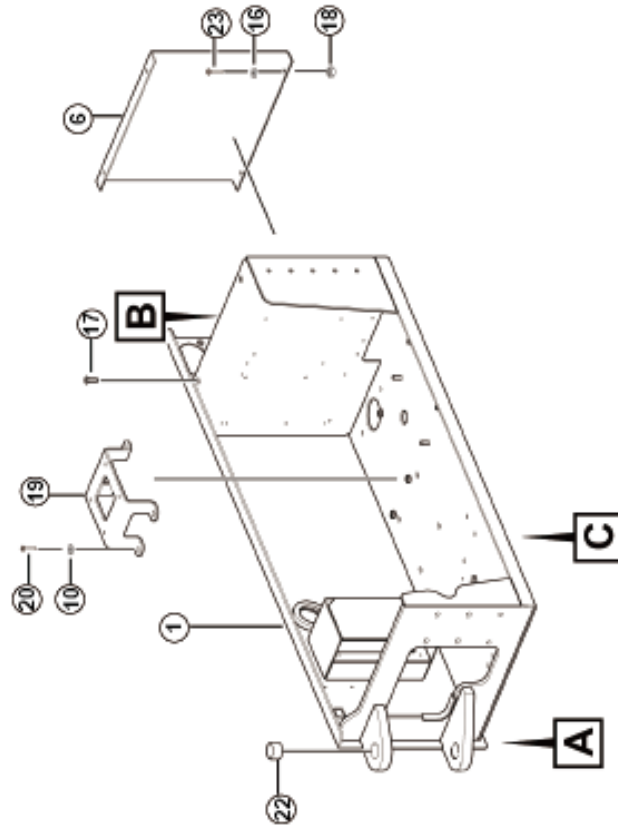
Drive Chassis Components

Item	Part No.	Name	Qty.	Remark
23	4014010132	Screw GB70.1-M6*20flznyc-8.8-480	4	
24	25320025201	Charging harness 6000	1	
25	4130001123	DC power supply switch ZDK31-250	1	
26	4014010120	Screw GB818-M5*8flZnyc-4.8-480	2	
27	4130000956	Fuse seat 02981001ZXT	1	
28	4015010290	Washer GB97.1-4flZnyc-300HV-480	4	
29	4014010419	Screw GB818-M4*14flZnyc-4.8-480	2	
30	4013010304	Nut GB6170-M4flZnyc-8-480	2	
31	4130000836	Fuse 0298300 (Lite)	1	
32	4045010076	Power cable LZB003 C8*220*1.4	1	
33	4045010163	Power cable LZB003 C8*10*1360*1.4	1	
34	4045010073	Power cable LZB003 C8*290*1.4	1	
35	4045010178	Power cable LZB003 C8.5*4000*1.4	1	
36	4045010159	Power cable LZB003 C8*10*4300*1.4-R	1	
37	25320015681	Power cable cap (Black)	3	
38	25320015671	Power cable cap (Red)	3	
39	25180002181	Rubber plate	2	

C1800-2518002312-G1

Oil tank side assy

D1800-2518002312

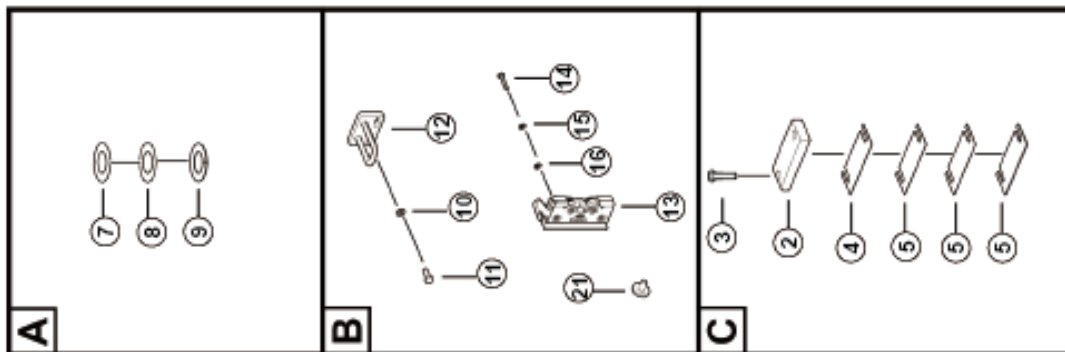
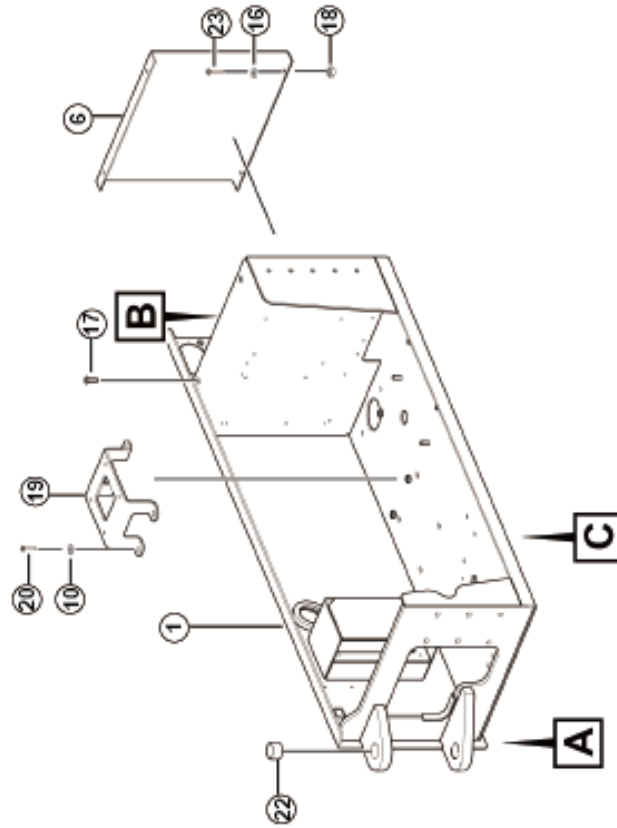


Item	Part No.	Name	Qty.	Remark
1	25180023111	Oil tank side wldmt	1	
2	25160002421	Backing block	2	
3	4011010908	Screw GB70.1-M8*25flznyc-8.8-480	4	
4	25160000611	Adjusting backing plate	2	
5	25160000572	Adjusting backing plate	6	
6	25180005701	Transparent plate	1	
7	25180001472	Adjusting gasket 0.1	2	
8	25180001462	Adjusting gasket 0.2	2	
9	25180001452	Adjusting gasket 0.5	2	
10	4015010280	Washer GB97.1-8flZnyc-300HV-480	6	
11	4011010711	Bolt GB5783-M8*20flznyc-8.8-480	2	
12	25160004253	Lock fixing seat	1	
13	4190002249	LH lock 50075 (TriMark)	1	
14	4011010717	Bolt GB5783-M6*30flznyc-8.8-480	2	
15	4015010375	Washer GB93-6flZnyc-65Mn-480	2	
16	4015010284	Washer GB97.1-6flZnyc-300HV-480	4	
17	4014010338	Screw GB70.3-M6*20flznyc-8.8-480	2	
18	4013010303	Nut QC339-M6flznyc-8-480	4	
19	25180018951	Motor fixing plate wldmt	1	
20	4011010743	Bolt GB5783-M8*25flznyc-8.8-480	4	
21	25200000402	Rubber plug	1	
22	4190706939	Self-lubricating sleeve SF-1F30220	2	

C1800-2518002312-G1

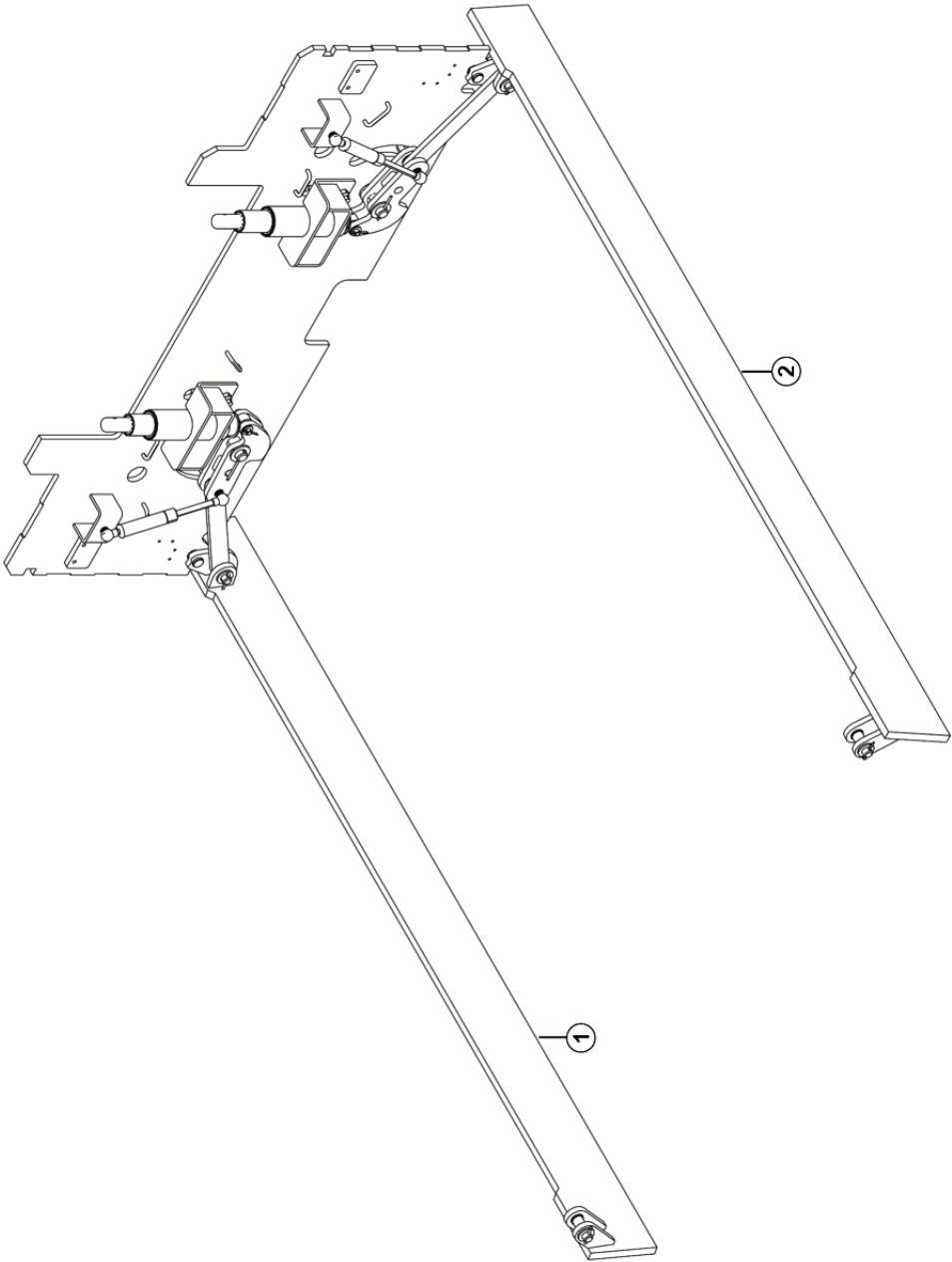
Oil tank side assy

D1800-2518002312



C0900-2519000272.S-G1

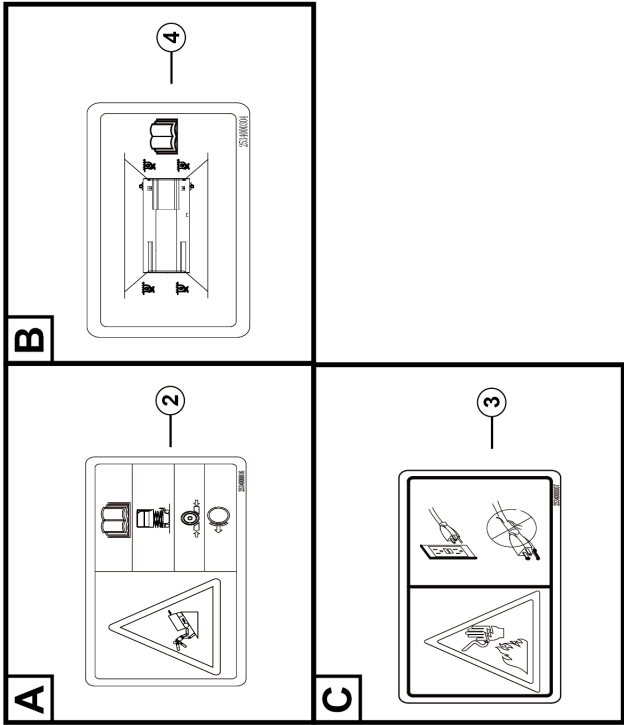
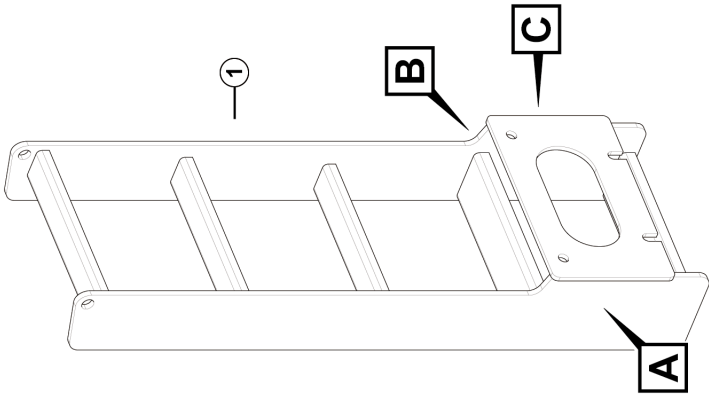
Pothole protection mechanism



D0900-2519000272.S

C2900-2529000279.S2A-G1

Ladder assy



12900-2529000279.S2A

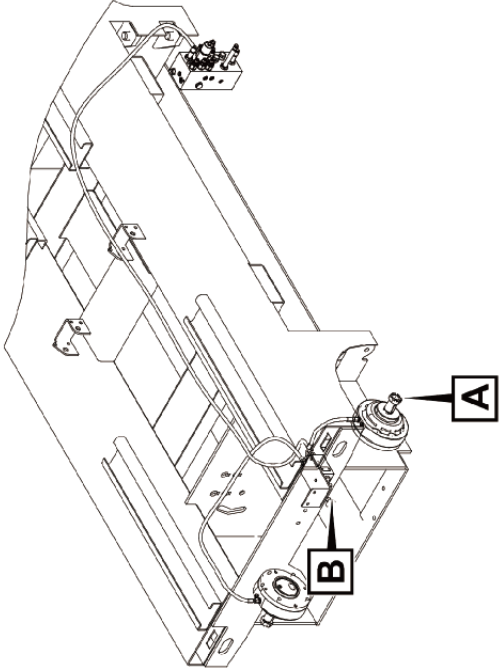
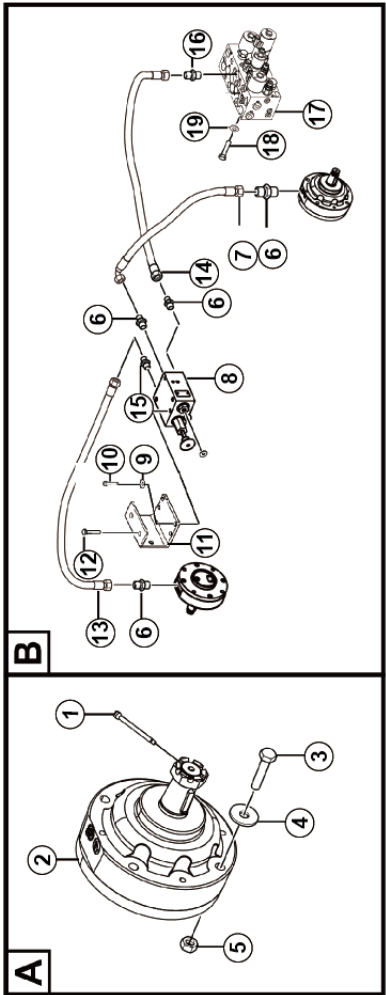


Drive Chassis Components

Item	Part No.	Name	Qty.	Remark
1	25290006374	Ladder wldmt	1	
2		Decal-Brake release safety warning		For illustration
3		Decal-ELEC shock fire warning		For illustration
4	25340003041	Decal-Transport fastening part	1	

C1100-2506000095.S1B1-G1

Service brake assy



E1100-2506000095.S1B1

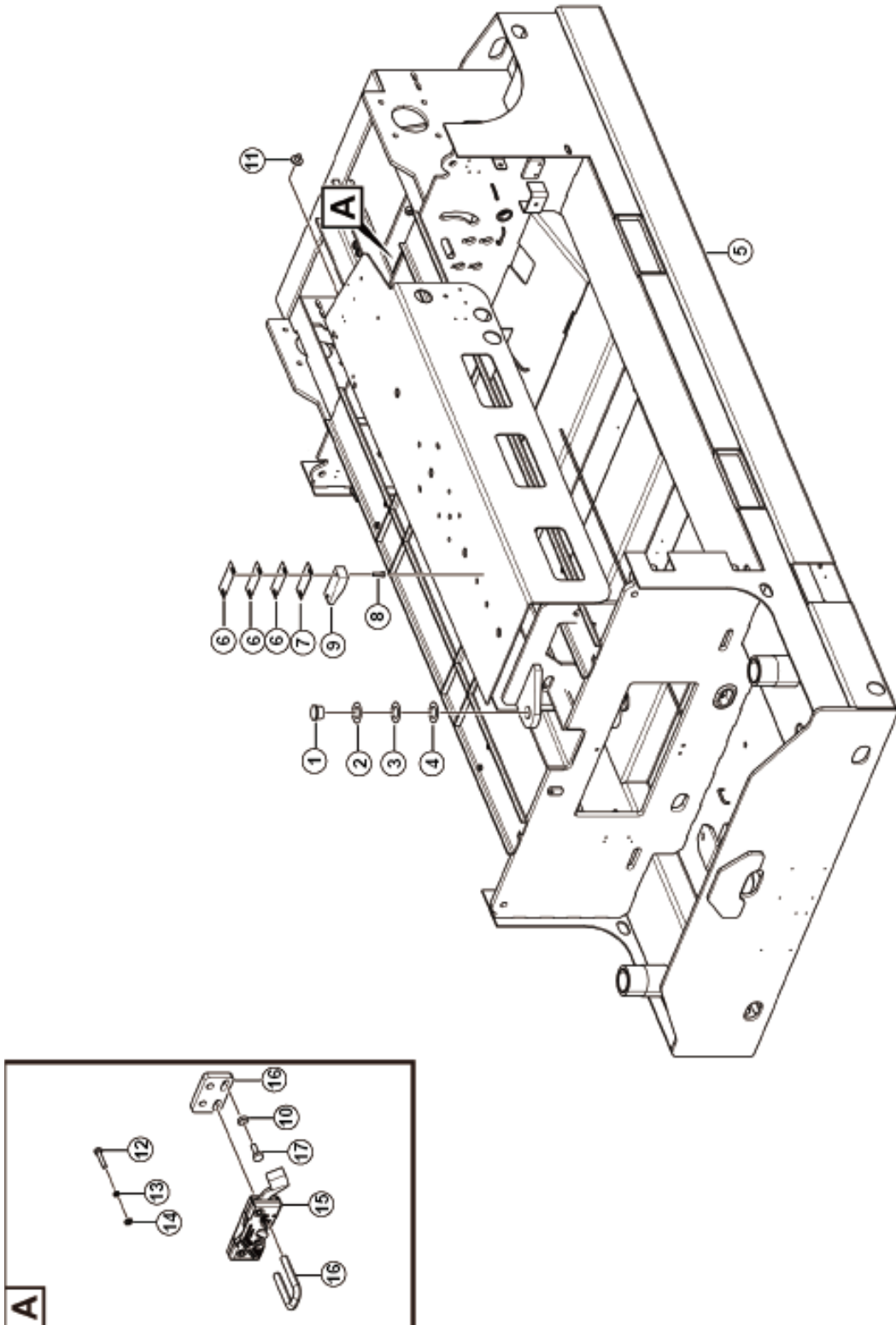


Drive Chassis Components

Item	Part No.	Name	Qty.	Remark
1	4016010143	Pin GB91-4*70flZnyc-Q235A-480	2	
2	4120704616	Brake disc 915000K3031AAAAA	2	
3	4011011021	Bolt GB5782-M12*95flZnyc-10.9-480	8	
4	4015010340	Washer GB97.1-12flZnyc-300HV-480	8	
5	4013010368	Nut GB889.1-M12flznyc-10-480	8	
6	4120001177	Joint GE08L7/16UNFOMDCF	5	
7	4120002315	Hose F471TCCACF080804-400-PG150	1	
8	4120001127	Brake release valve 960020A10AAAA	1	
9	4015010339	Washer GB97.1-10flZnyc-300HV-480	2	
10	4011011065	Bolt 3/8-16UNC-2B*32flZnyc-10.9-480	2	
11	25060000691	Brake release valve bracket assy	1	
12	4011010712	Bolt GB16674.1-M10*30flZnyc-8.8-480	2	
13	4120704860	Hose F471TCCACF080804-1200	1	
14	4120705469	Hose F471TCCACE080804-3200	1	
15	4190000698	Joint EW08LOMDA3C	1	
16	4120001170	Joint GE08LREDDOMDCF	1	
17	4120708309	Scissor platform fontrol valve ST6017-AE00	1	
18	4011010743	Bolt GB5783-M8*25flznyc-8.8-480	4	
19	4015010289	Washer GB96.1-8flZnyc-300HV-480	4	

C1800-2518002260.S1A-G2

Battery side assy



D1800-2518002260.S1A



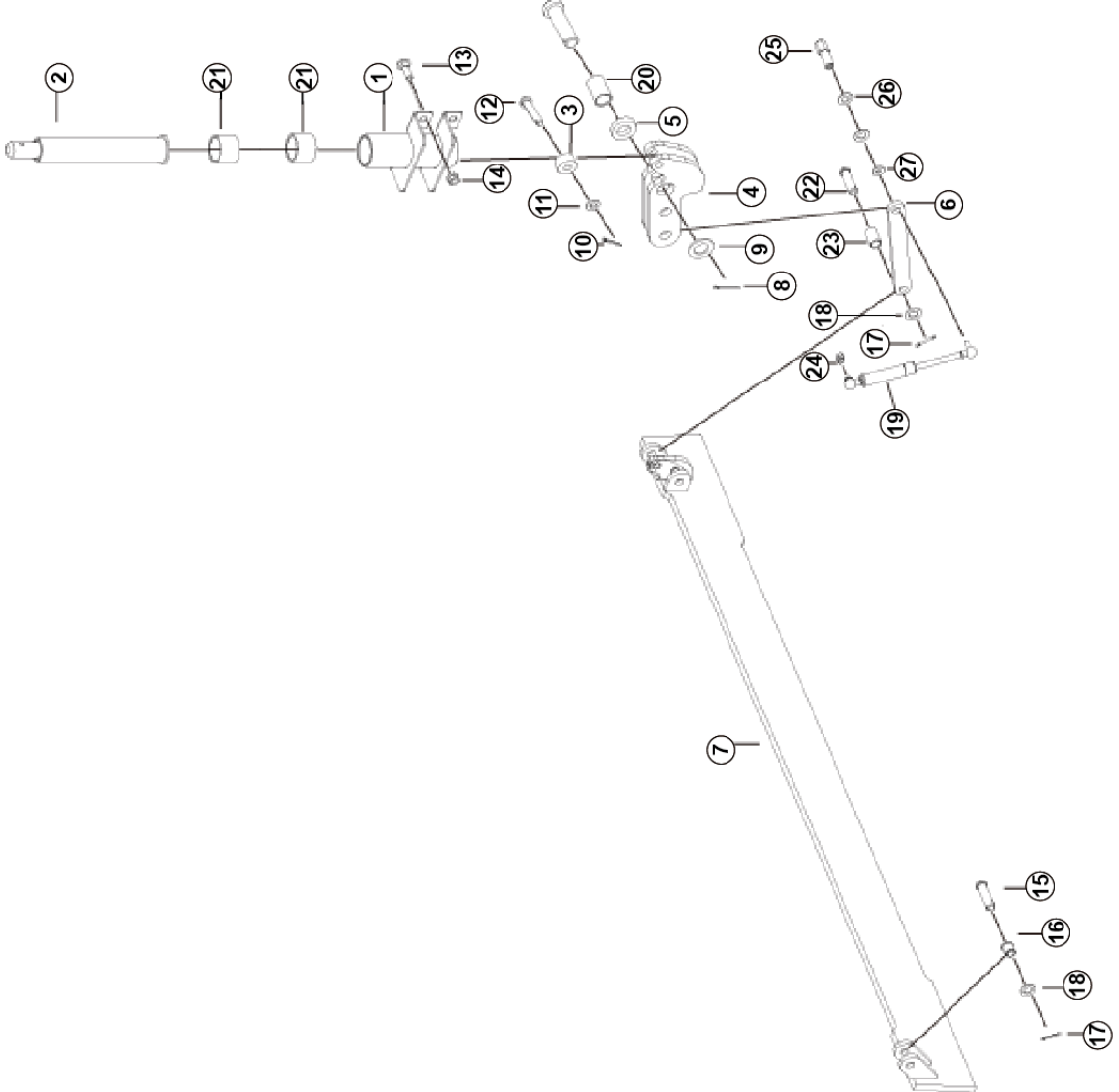
Drive Chassis Components

Item	Part No.	Name	Qty.	Remark
1	4190706939	Self-lubricating sleeve SF-1F30220	2	
2	25180001472	Adjusting gasket 0.1	2	
3	25180001462	Adjusting gasket 0.2	2	
4	25180001452	Adjusting gasket 0.5	2	
5	25180022592	Battery box wldmt	1	
6	25160000572	Adjusting backing plate	6	
7	25160000611	Adjusting backing plate	2	
8	4011010908	Screw GB70.1-M8*25flznyc-8.8-480	4	
9	25160002421	Backing block	2	
10	4015010280	Washer GB97.1-8flZnyc-300HV-480	2	
11	25200000402	Rubber plug	1	
12	4011010717	Bolt GB5783-M6*30flznyc-8.8-480	2	
13	4015010284	Washer GB97.1-6flZnyc-300HV-480	2	
14	4015010375	Washer GB93-6flZnyc-65Mn-480	2	
15	4190002250	RH lock 50076 (Telmark)	1	
16	25160004253	Lock fixing seat	1	
17	4011010711	Bolt GB5783-M8*20flznyc-8.8-480	2	

C0901-2519000271.S1B-G4

Pothole protection mechanism (RH)

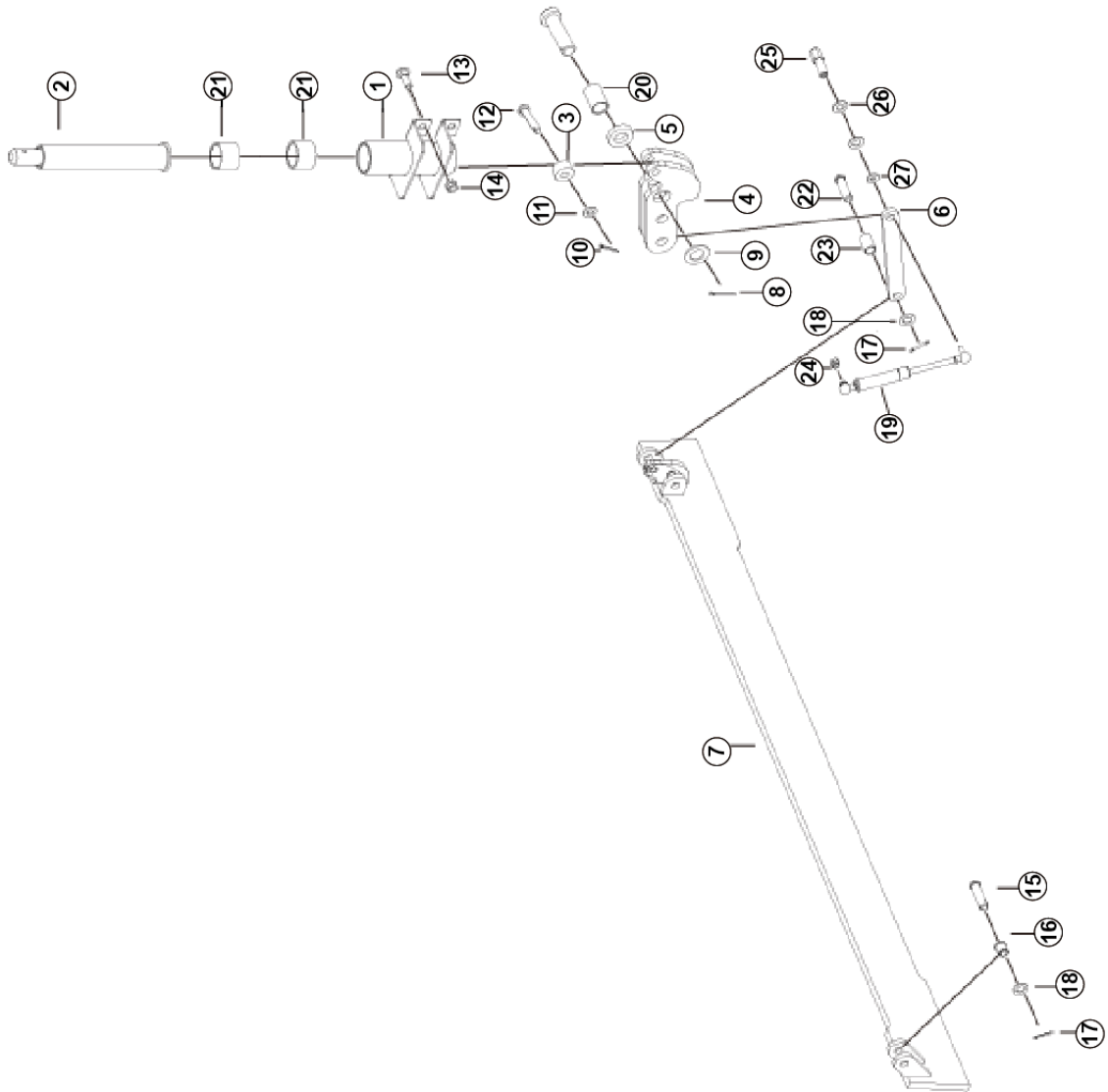
D0901-2519000271.S1B



Item	Part No.	Name	Qty.	Remark
1	25190003402	Shaft fixing module	1	
2		Finale assy		For illustration
3	25190000221	Roller	1	
4	25190000721	Welded connecting rod assy	1	
5	25190000201	Spacer sleeve	1	
6	25190000091	Connecting rod	1	
7	25190002695	RH backplate	1	
8	4016010136	Pin GB91-4*45flZnyc-Q235A-480	1	
9	4015010338	Washer GB97.1-20flZnyc-300HV-480	1	
10	4016010138	Pin GB91-3.2*26flZnyc-Q235A-480	1	
11	4015010339	Washer GB97.1-10flZnyc-300HV-480	1	
12	25190000231	Pin 10	1	
13	4011011165	Bolt GB14-M10*35flZnyc-8.8-480	4	
14	4013010296	Nut GB889.1-M10flznyc-8	4	
15	25190000981	Pin	1	
16	25190000991	Shaft sleeve	1	
17	4016010137	Pin GB91-4*28flZnyc-Q235A-480	3	
18	4015010342	No longer used-Washer GB97.1-16flZnyc-300HV-480	3	
19	25190000212	Gas spring	1	
20	25190000181	Shaft sleeve 20	1	
21	25200000141	Shaft sleeve	2	
22	25190000242	Pin 16	2	

C0901-2519000271.S1B-G4

Pothole protection mechanism (RH)



D0901-2519000271.S1B



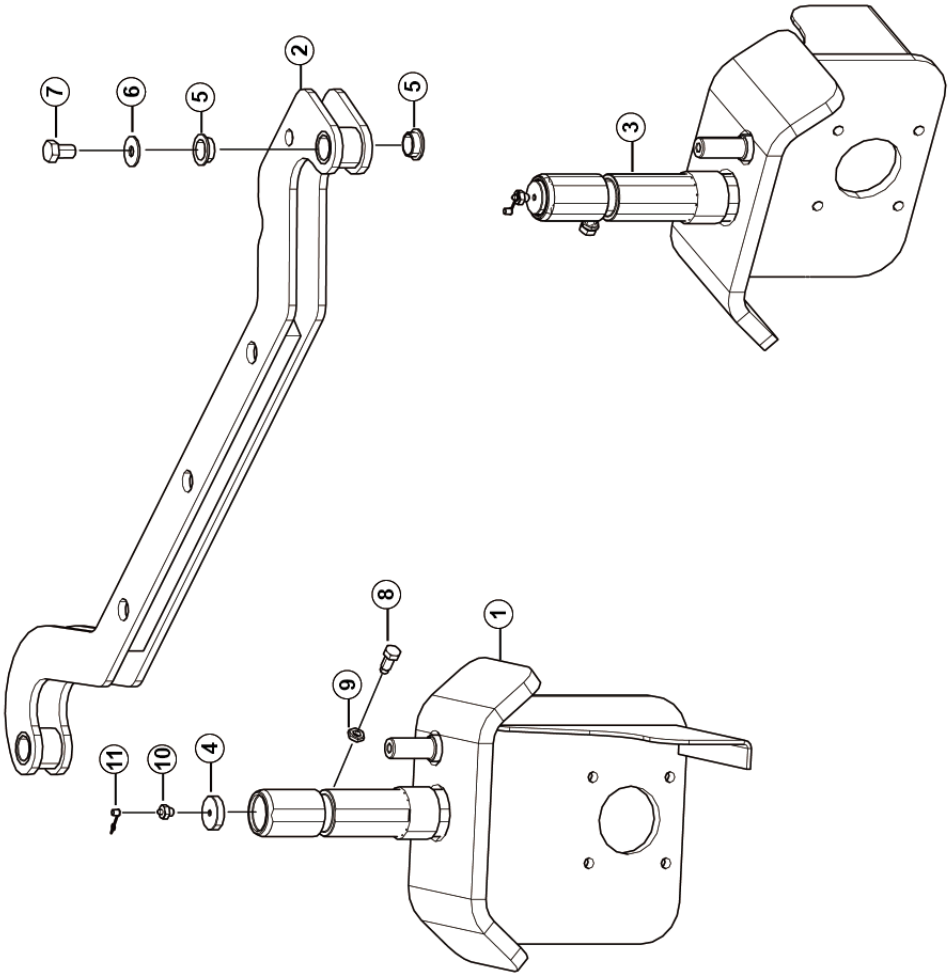
Drive Chassis Components

Item	Part No.	Name	Qty.	Remark
23	25190000171	Shaft sleeve 16	1	
24	4013010297	Nut GB889.1-M8fzZnyc-8-480	1	
25	25190000251	Gas spring pin	1	
26	25190000192	Thin shim 16	2	
27	4015010289	Washer GB96.1-8fZnyc-300HV-480	1	

C1200-2517000360.S1C-G1

Steering mechanism

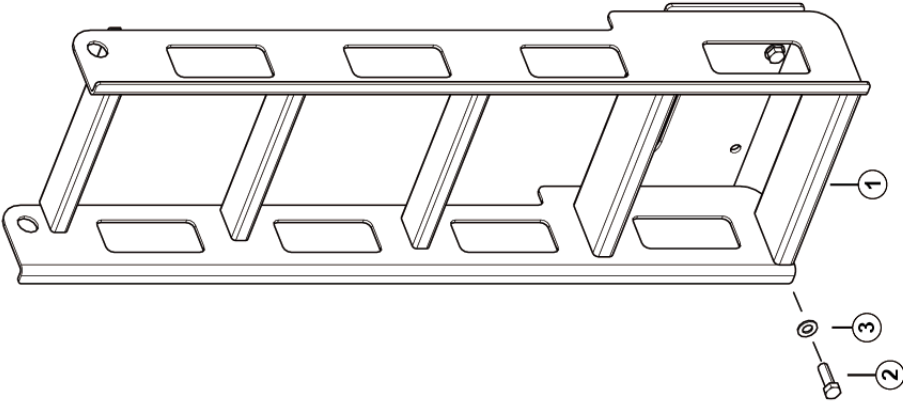
F1200-2517000360.S1C



C1700-2529000278.S2A-G1

Covering accessories assy

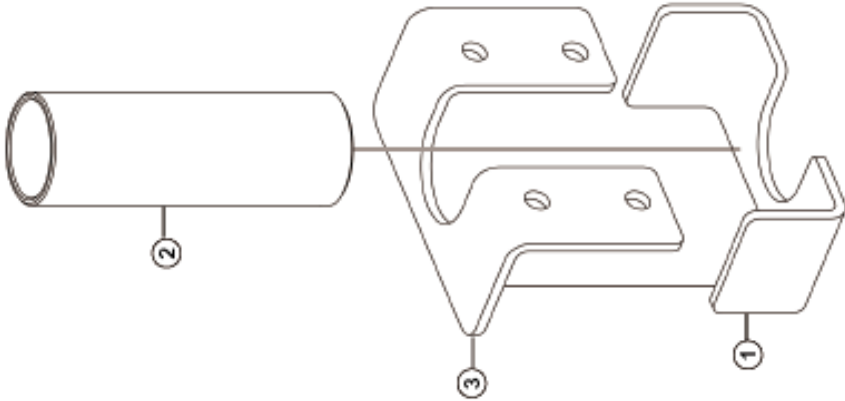
11700-2529000278.S2A



C1900-2519000340.S1A-G1

Shaft fixing module

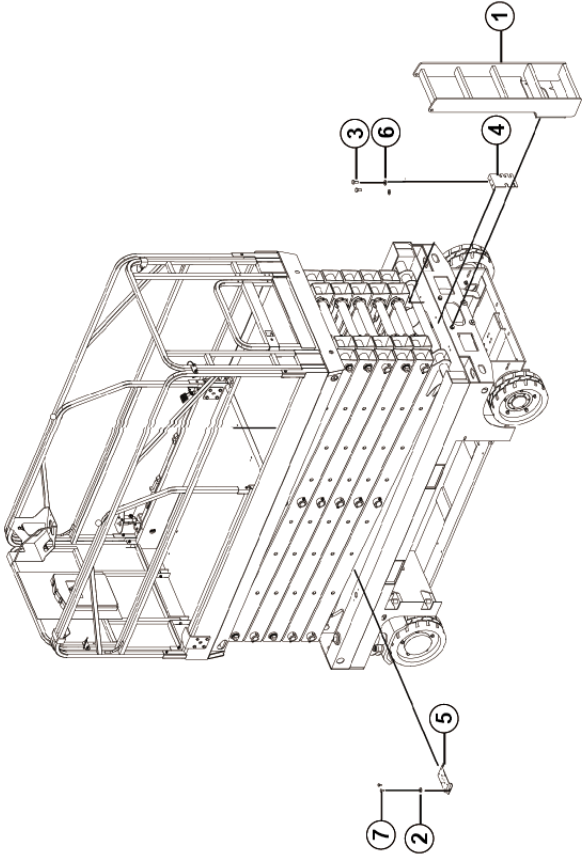
D1900-2519000340.S1A



C2900-2529002319.S1A-G1

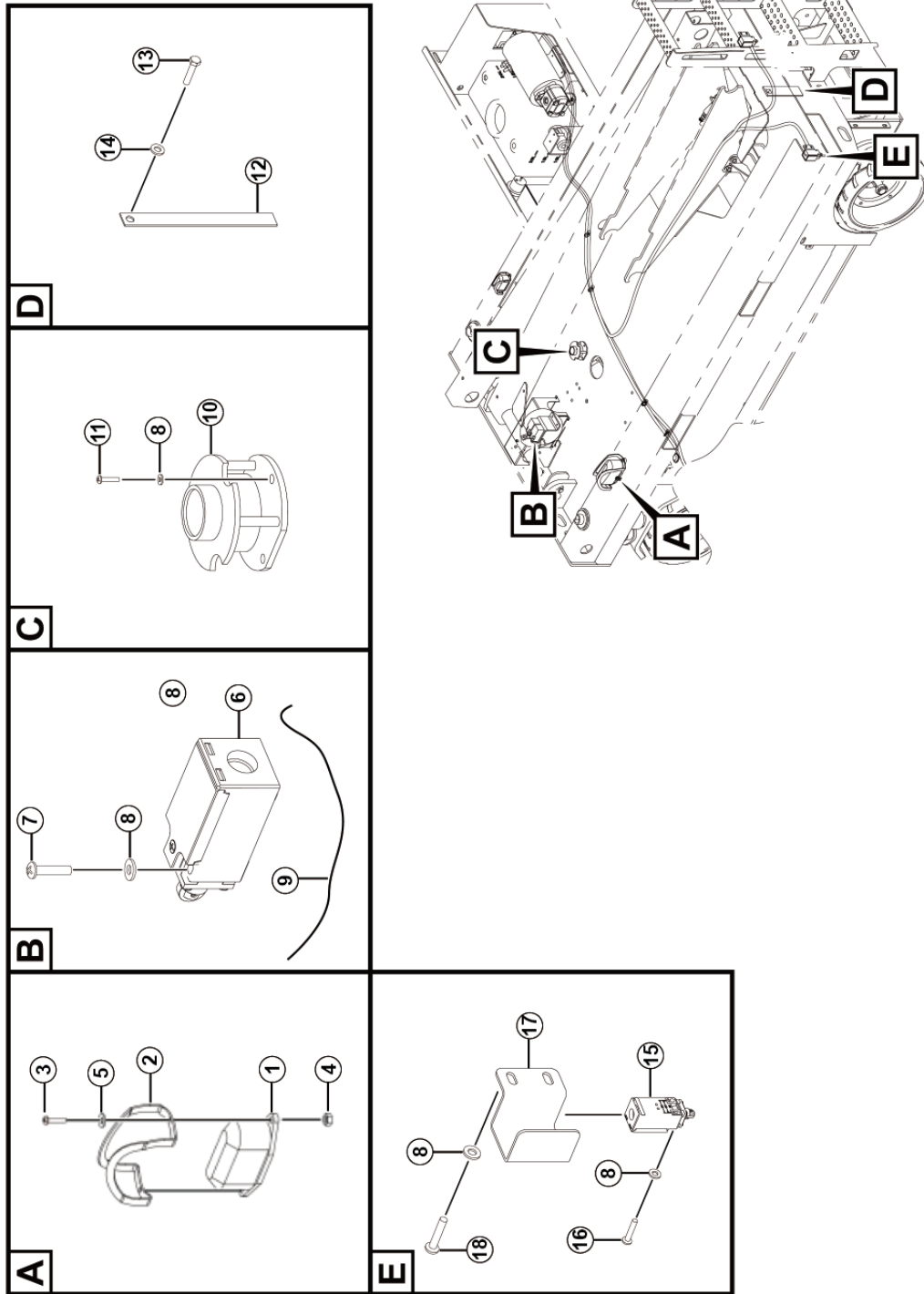
Covering assy

I2900-2529002319.S1A



C3200-2532002565.S1A-G2

Chassis elec assy



M3200-2532002565.S1A



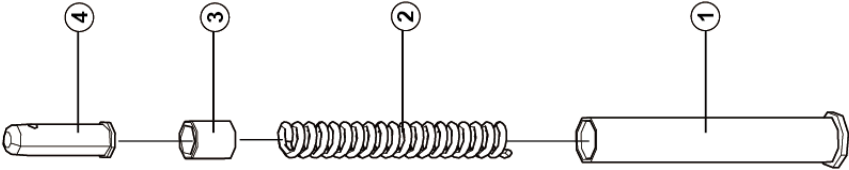
Drive Chassis Components

Item	Part No.	Name	Qty.	Remark
1	4130000729	Working indicator lamp	2	
2	25320000192	Shield	2	
3	4014010121	Screw GB818-M4*20flZnyc-4.8-480	4	
4	4013010304	Nut GB6170-M4flZnyc-8-480	4	
5	4015010290	Washer GB97.1-4flZnyc-300HV-480	8	
6	4130702615	Travel switch CLS-103	3	
7	4014010123	Screw GB70.1-M5*40flZnyc-8.8-480	6	
8	4015010283	Washer GB97.1-5flZnyc-300HV-480	17	
9	25320025572	Upr control adapter cable	1	
10	4130701488	Tilt switch	1	
11	4014010122	Screw GB70.1-M5*20flZnyc-8.8-480	3	
12	25320002461	Braided wire conductive tape	1	
13	4011010970	Bolt GB5783-M8*16flznyc-8.8-480	1	
14	4015010280	Washer GB97.1-8flZnyc-300HV-480	1	
15	4130702616	Travel switch CLS-103	2	
16	4014010353	Screw GB70.1-M5*45flZnyc-8.8-480	4	
17	25320000571	Plate	2	
18	4014010127	Screw GB70.1-M5*10flznyc-8.8-480	4	

C0900-2519000316.S-G2

Pusher assy

D0900-2519000316.S





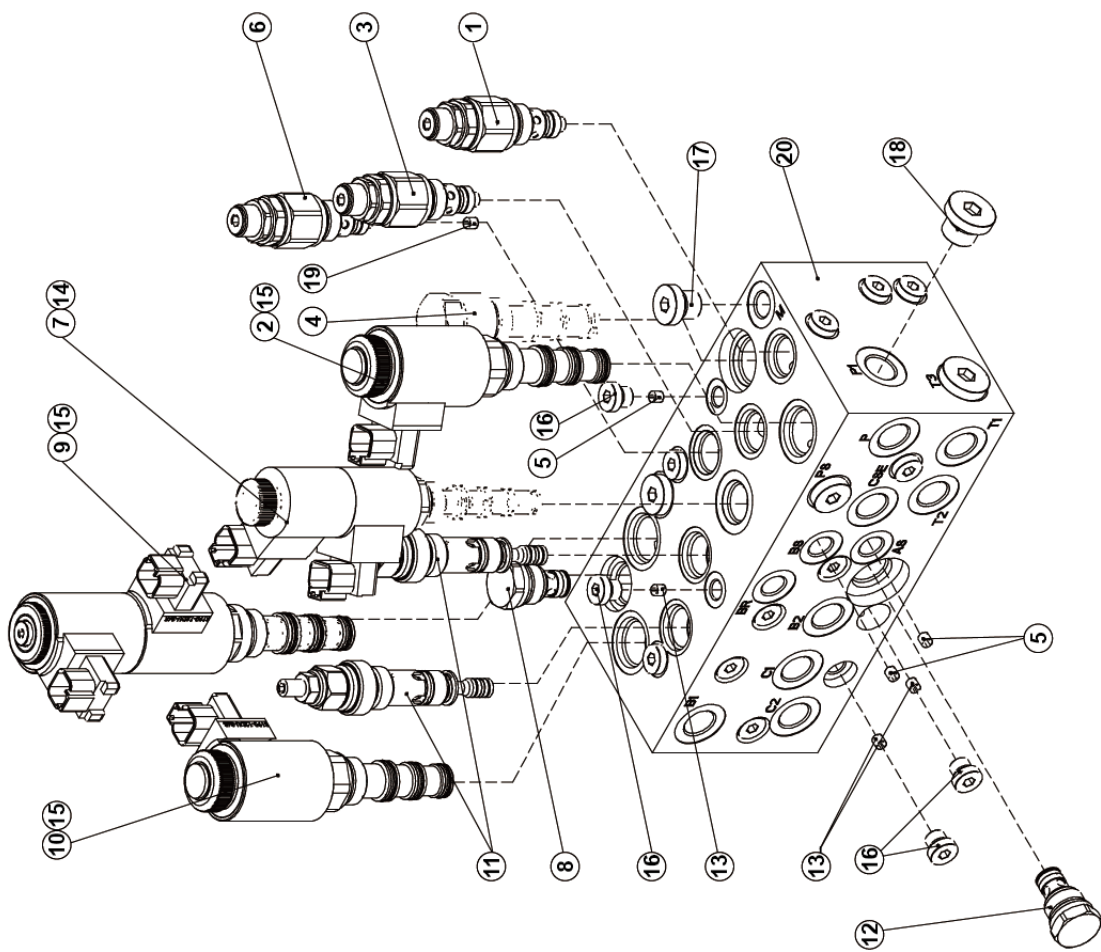
Drive Chassis Components

Item	Part No.	Name	Qty.	Remark
1	25190003181	Pipe assy	1	
2	25190000351	Spring	1	
3	25190000301	Shaft sleeve	1	
4	25190000291	Shaft	1	

C1100-4120708309

Platform control valve manifold ST6017-AE00

E1100-4120708309



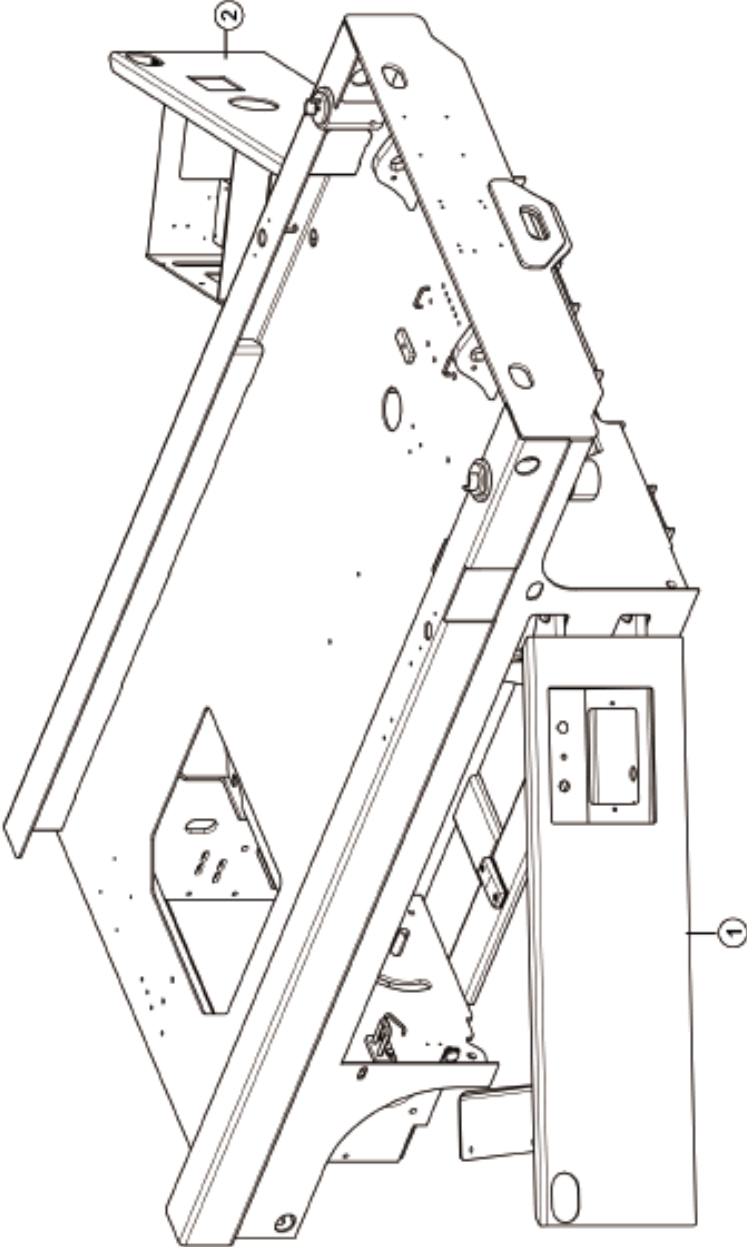


Drive Chassis Components

Item	Part No.	Name	Qty.	Remark
1	4120001490002	Relief valve STRV08-G-240A	1	
2	4120704255002	Solenoid valve E10N-4X0	1	
3	4120001901002	Relief valve assy STRV08-G-210A	1	
4	4120708309001	Compensator valve L10S-4401-8E	1	
5	4120703639021	Orifice M6 STTY002-1.3	1	
6	4120001901001	Relief valve assy STRV08-B-120A	1	
7	4120708309002	Solenoid valve E08N-5M	1	
8	4120001490007	Check valve 36*22	2	
9	4120708309003	Solenoid valve E10N-4C	1	
10	4120708248010	Solenoid valve E10N-4G0	1	
11	4120704166002	Balancing valve PJ1609000	2	
12	4120702961	Check valve CV08-20-0-N-100	1	
13	4120703639013	Orifice M6 STTY002-0.7	4	
14	4120704255006	Solenoid S130-20DU-20S	2	
15	4120705127001	Solenoid S190-20DU-26S	4	
16	4129900116002	Plug 4BN-02WD	26	
17	4190001419	Plug 4BN-04WD	3	
18	4120001493	Plug 4BN-06WD	2	
19	4120703639019	Orifice M6 STTY002-0.8	1	
20	4120704166001	Manifold block ST5017-A000M	1	

C1800-2518002313-G1

Battery and oil tank side



D1800-2518002313

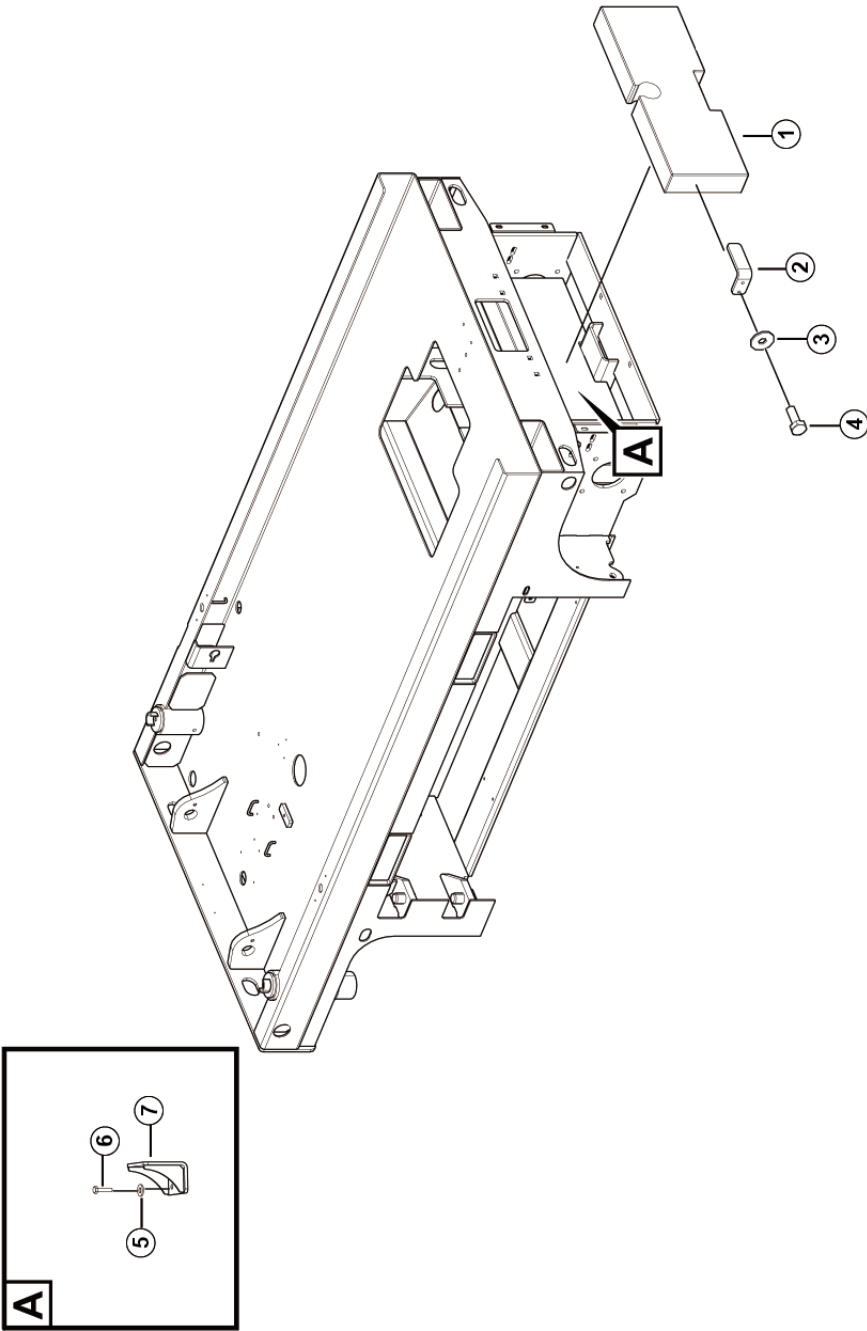
D

Turntable Components

D1600-2528000200.S-G1

Counterweight assy

H1600-2528000200.S



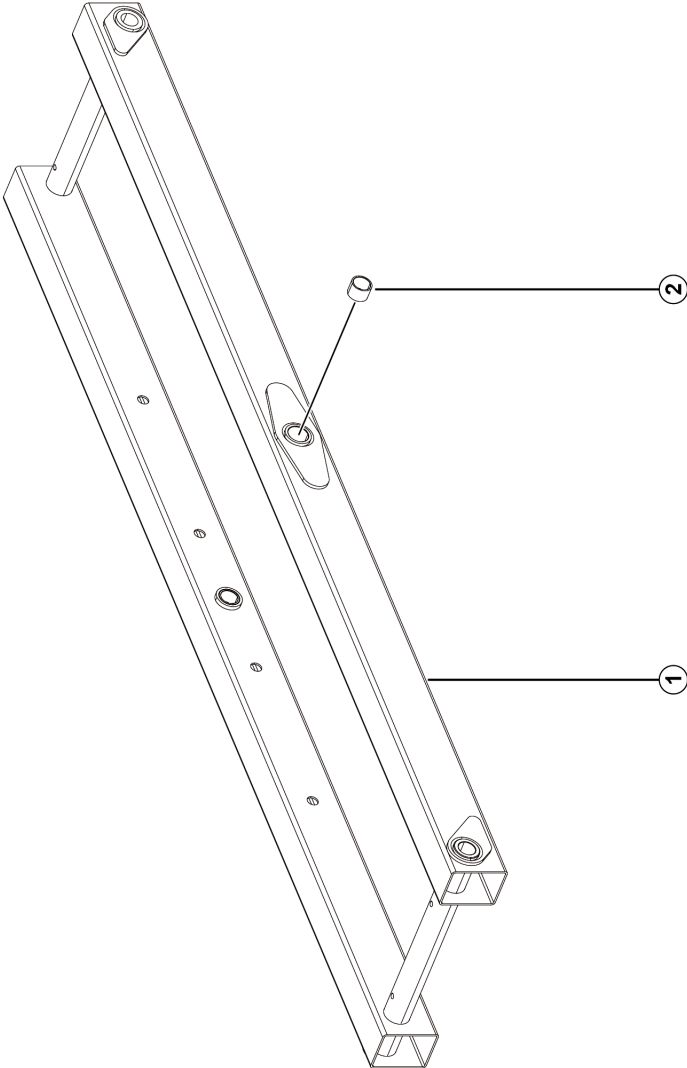
E

**Scissor(Boom Structure)
Components**

E2000-2520003243.S1B

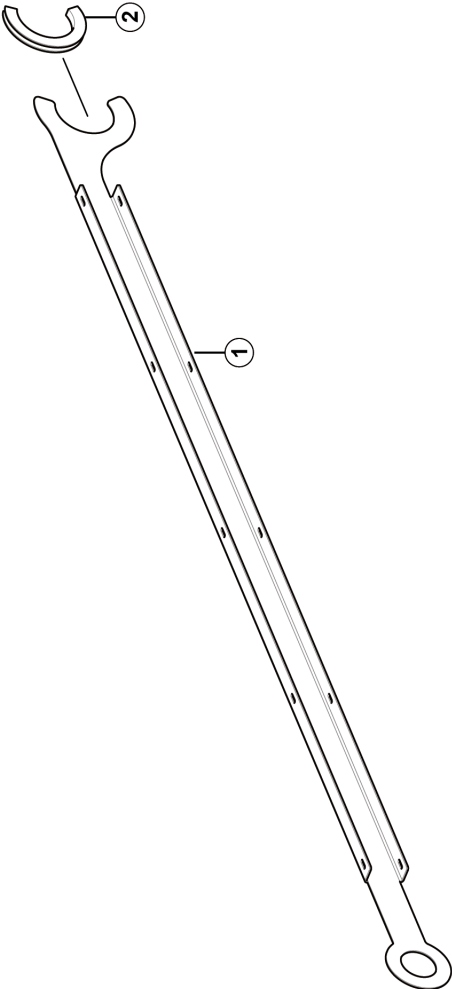
4th inner arm assy

G2000-2520003243.S1B



E1300-2520002530.S1B

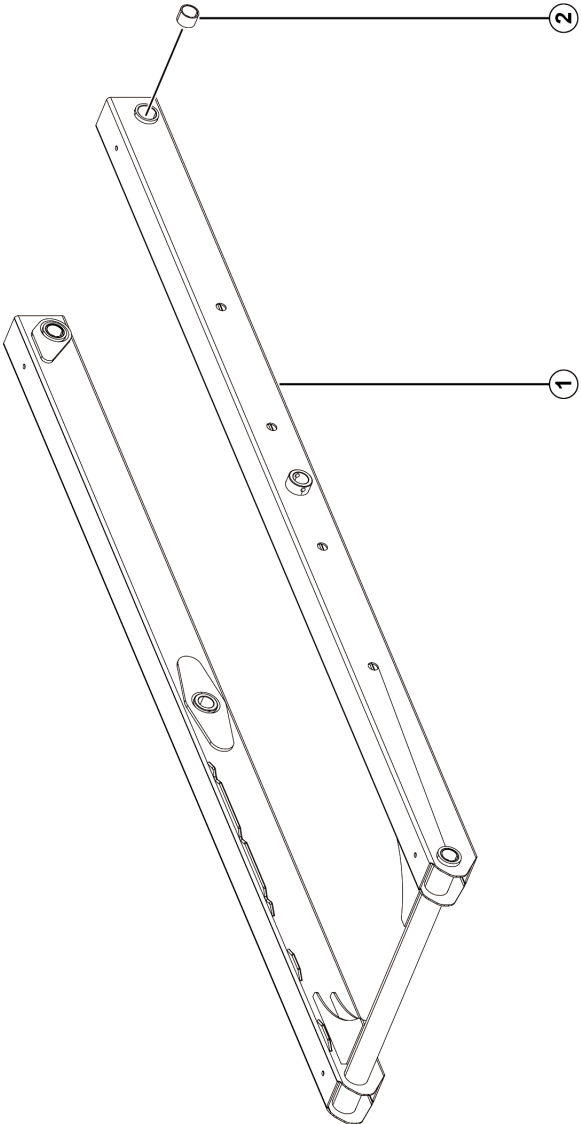
Cable routing plate assy



G1300-2520002530.S1B

E2000-2520003251.S1B

6th outer arm assy

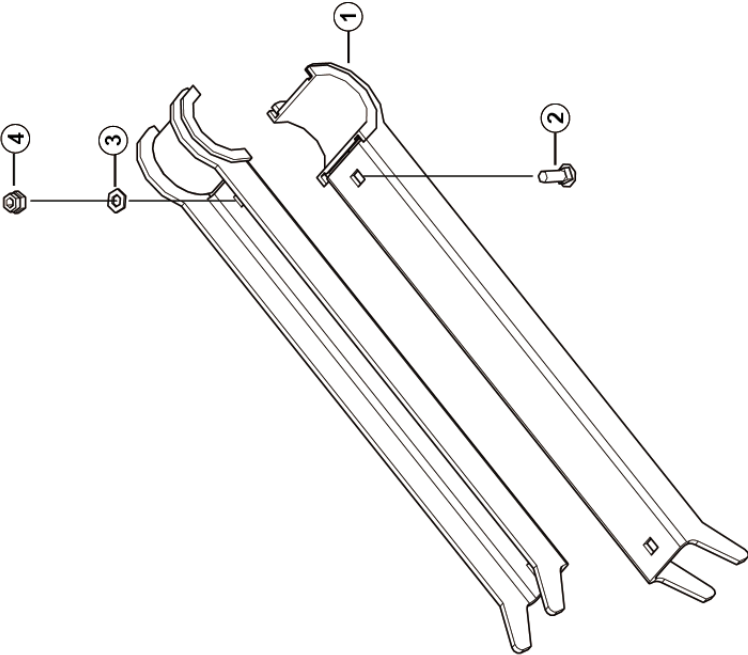


G2000-2520003251.S1B

E1300-252000044.B2D-G1

Safety prop

G1300-252000044.B2D



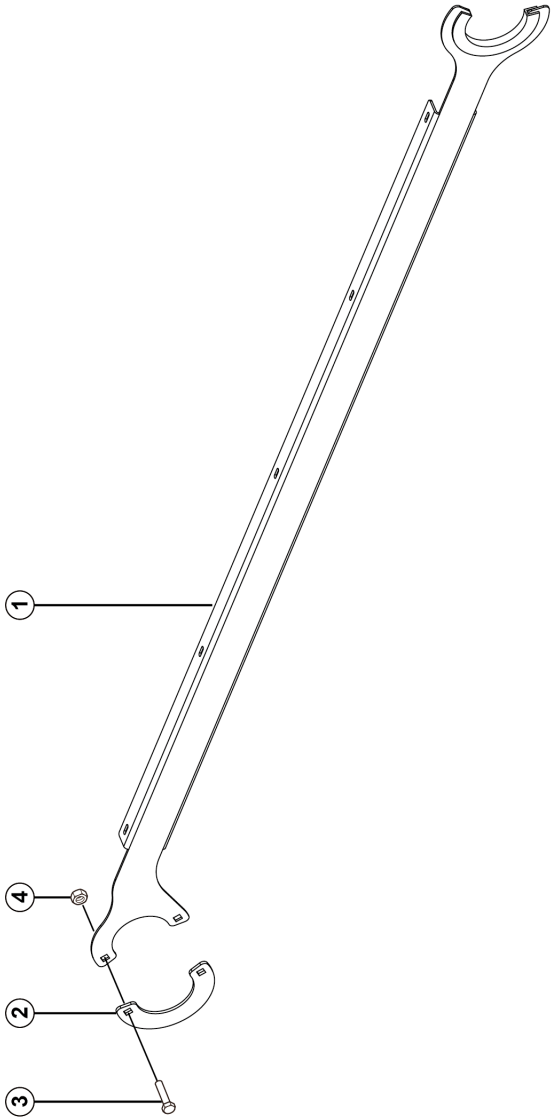


Scissor(Boom Structure) Components

Item	Part No.	Name	Qty.	Remark
1	25200001863	Bent plate assy	2	
2	4011010427	Bolt GB14-M10*30EpZn-8.8	2	
3	4015000162	Washer GB97.1-10EpZn-300HV	2	
4	4013000189	Nut GB889.1-M10EpZn-8	2	

E2000-2520002513.S1B-G1

Cable routing plate assy



G2000-2520002513.S1B

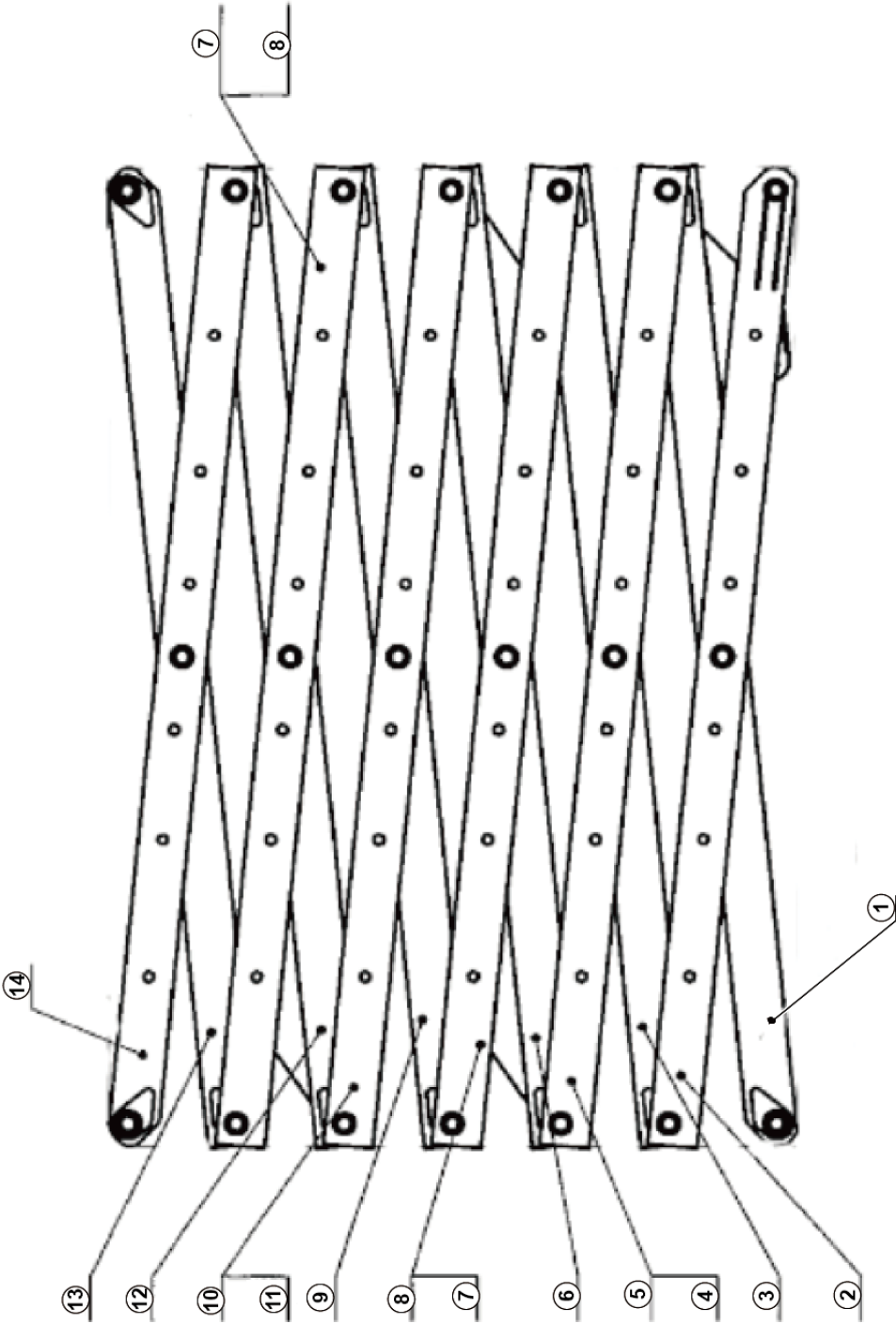


Scissor(Boom Structure) Components

Item	Part No.	Name	Qty.	Remark
1	25200001291	Arc plate	1	
2	25200025122	Cabling plate assy	1	
3	4011010728	Bolt GB12-M6*16flZnyc-8.8	1	
4	4013010300	Nut GB889.1-M6flznc-8-480	1	

E1300-2520003431.S1A-G1

Scissor subassy



G1300-2520003431.S1A

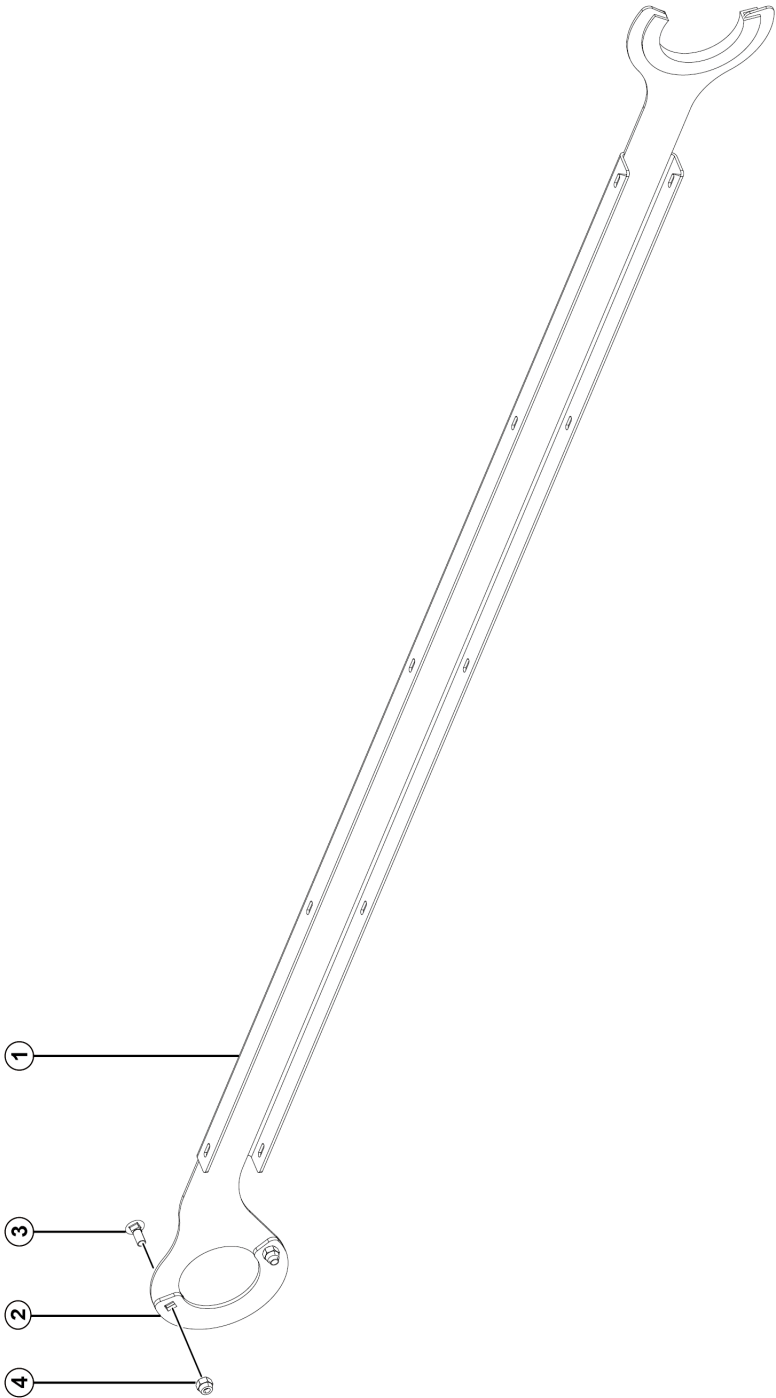


Scissor(Boom Structure) Components

Item	Part No.	Name	Qty.	Remark
1	25200032212	1st inner arm assy	1	
2	25200032111	1st outer arm weldment	1	
3	25200032311	2nd inner arm assy	1	
4	25200032221	2nd outer arm weldment (RH)	1	
5	25200032261	2nd outer arm weldment (LH)	1	
6	25200032381	3rd inner arm assy	1	
7	25200032361	3rd outer arm assy (RH)	2	
8	25200032331	3rd outer arm assy (LH)	2	
9	25200032431	4th inner arm assy	1	
10	25200032411	4th outer arm wldmt (LH)	1	
11	25200032421	4th outer arm wldmt (RH)	1	
12	25200032451	5th inner arm assy	1	
13	25200032501	6th inner arm assy	1	
14	25200032511	6th outer arm assy	1	

E2000-2520002514.S1B

Cable routing plate assy



G2000-2520002514.S1B

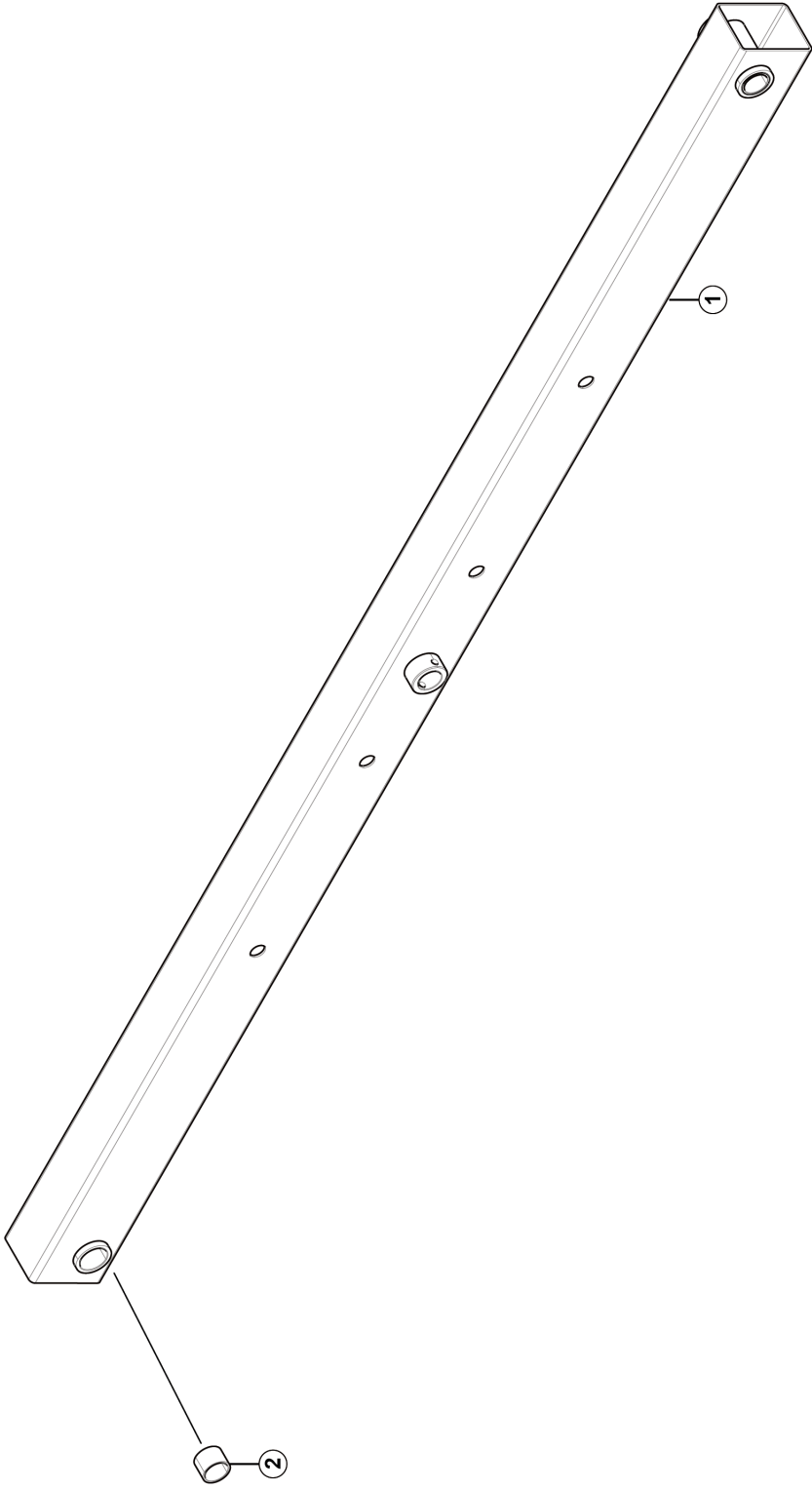


Scissor(Boom Structure) Components

Item	Part No.	Name	Qty.	Remark
1	25200025152	Cabling plate assy	1	
2	25200001291	Arc plate	1	
3	4011010728	Bolt GB12-M6*16flZnyc-8.8	2	
4	4013010300	Nut GB889.1-M6flznc-8-480	2	

E2000-2520003236.S1B

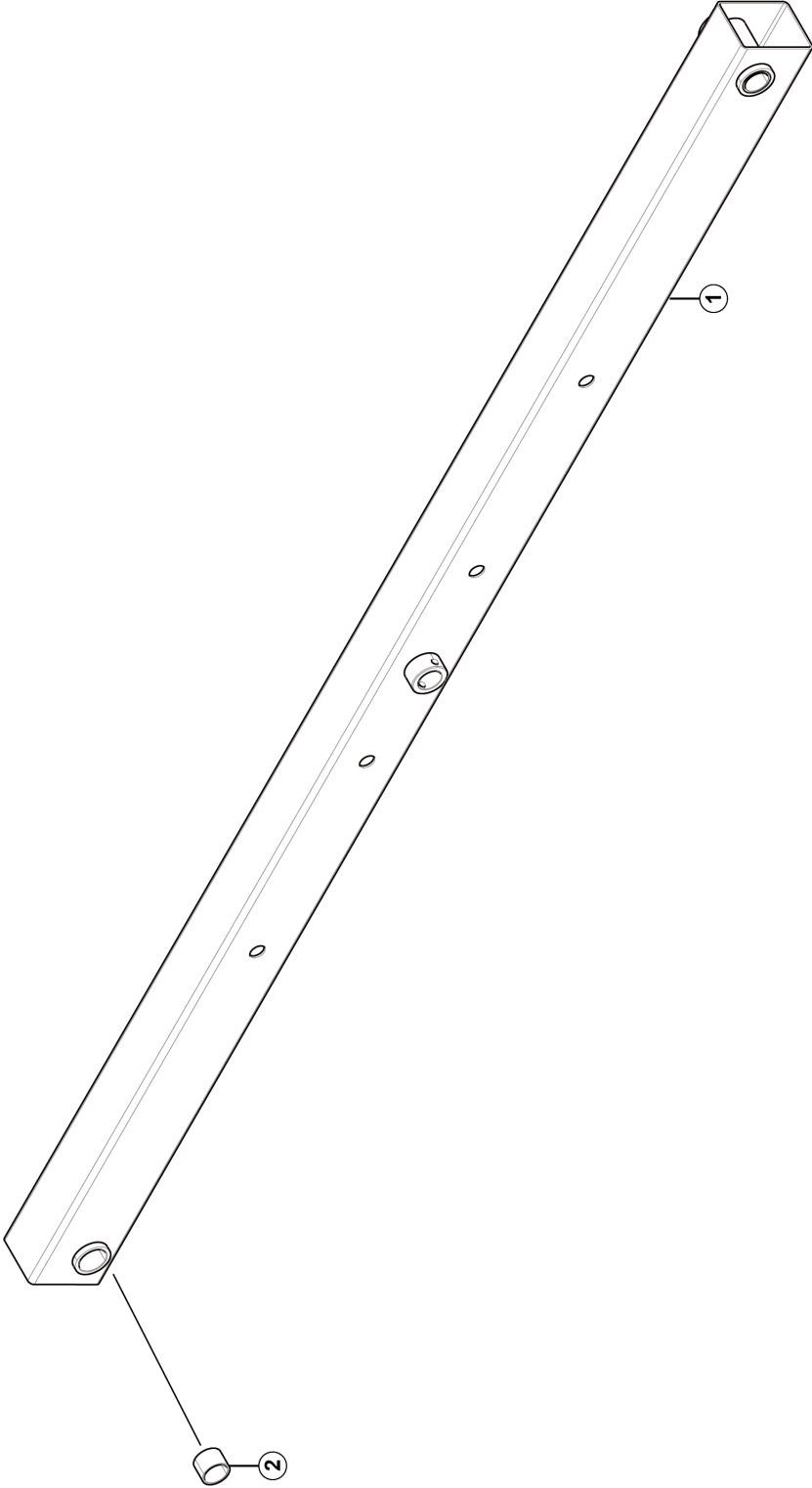
3rd outer RH arm assy



G2000-2520003236.S1B

E2000-2520003233.S1B

3rd outer LH arm assy

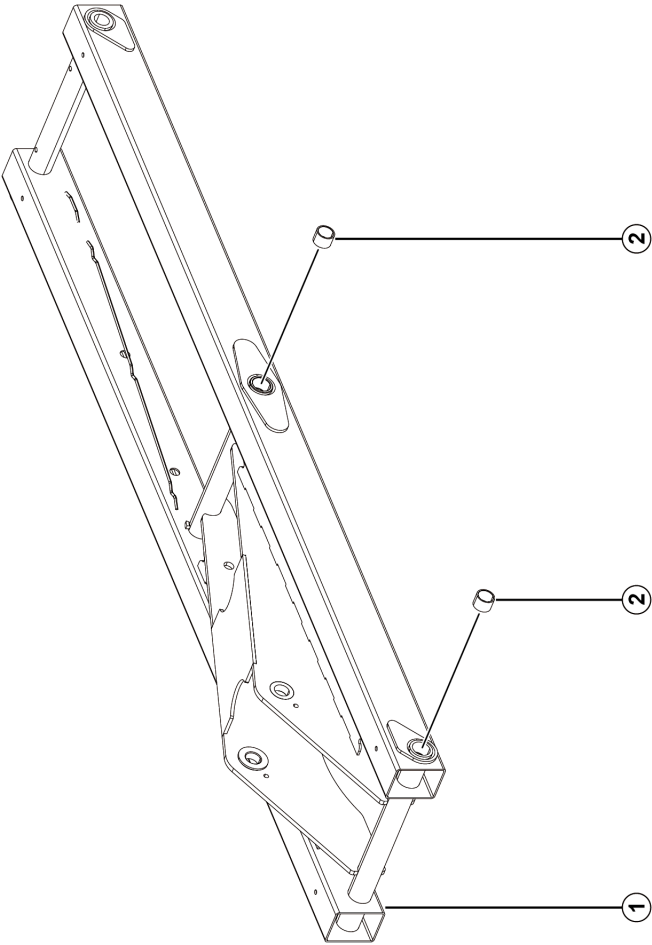


G2000-2520003233.S1B

E2000-2520003245.S1B

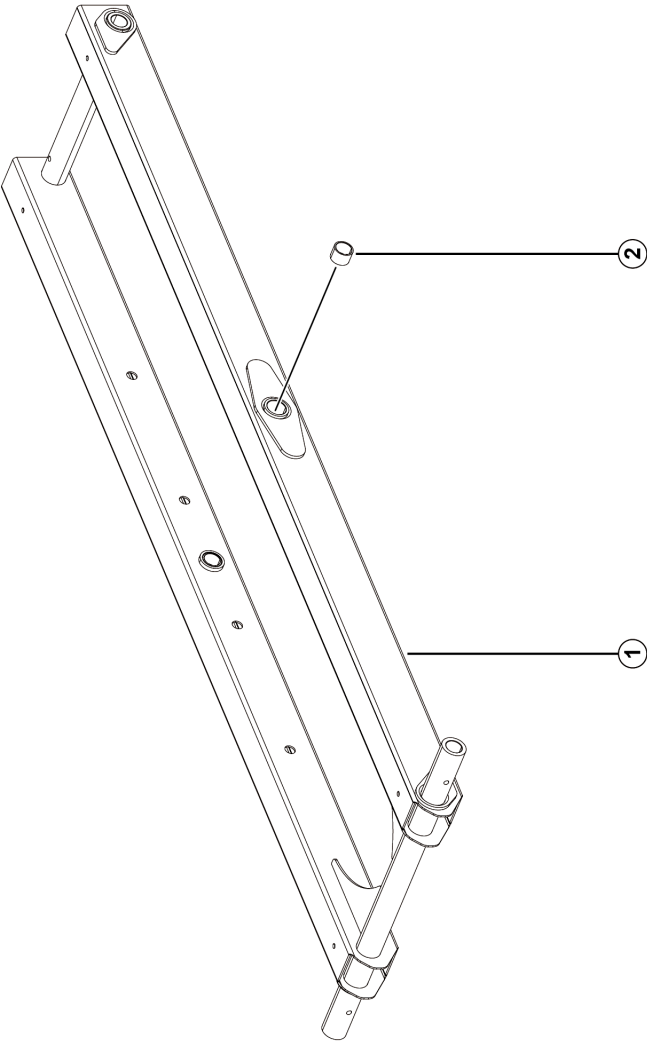
5th inner arm assy

G2000-2520003245.S1B



E2000-2520003250.S1B

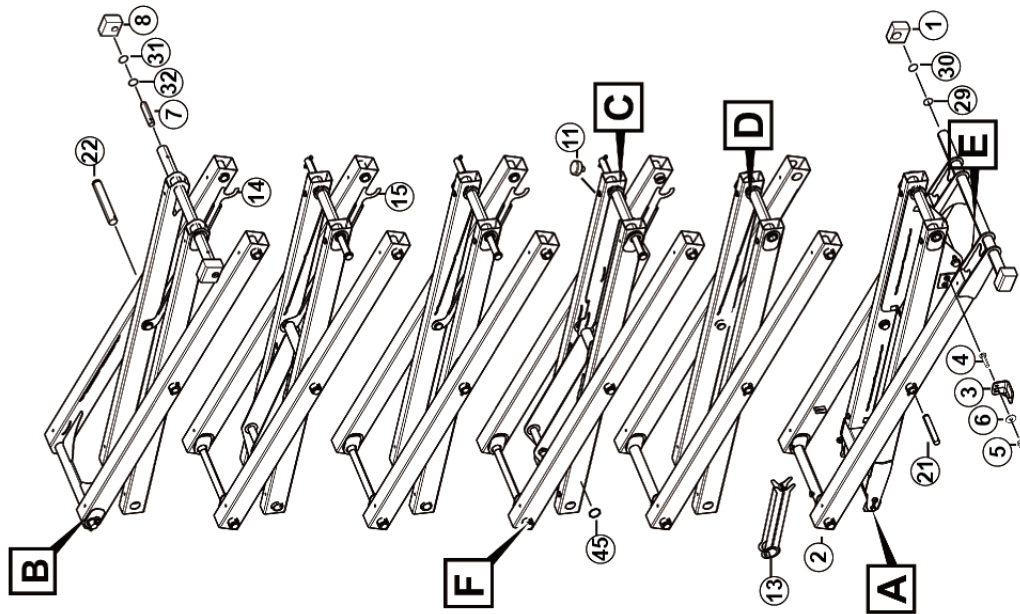
6th inner arm assy



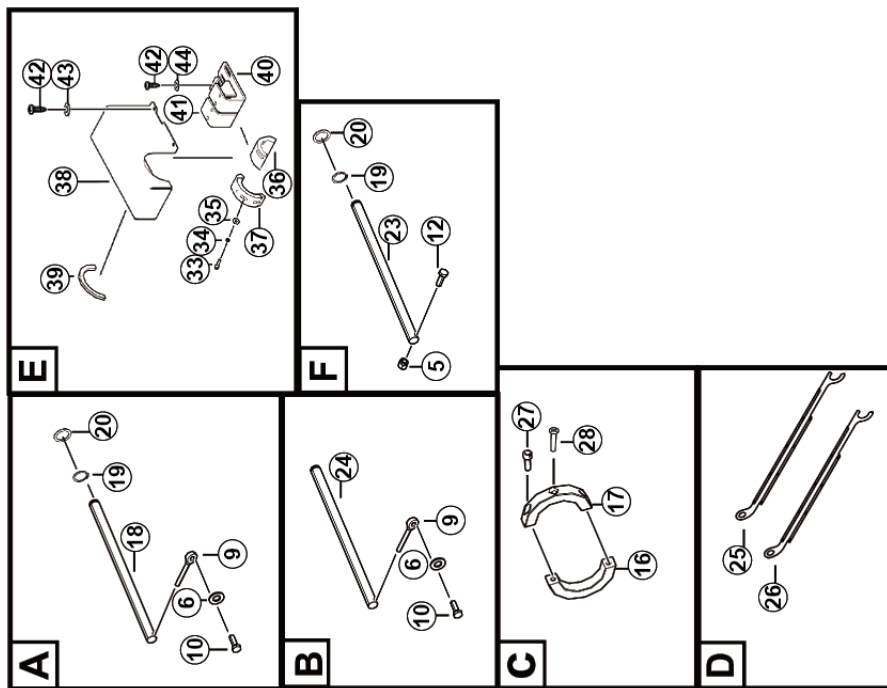
G2000-2520003250.S1B

E1300-2520003432.S1D-G1

Scissor assy



G1300-2520003432.S1D



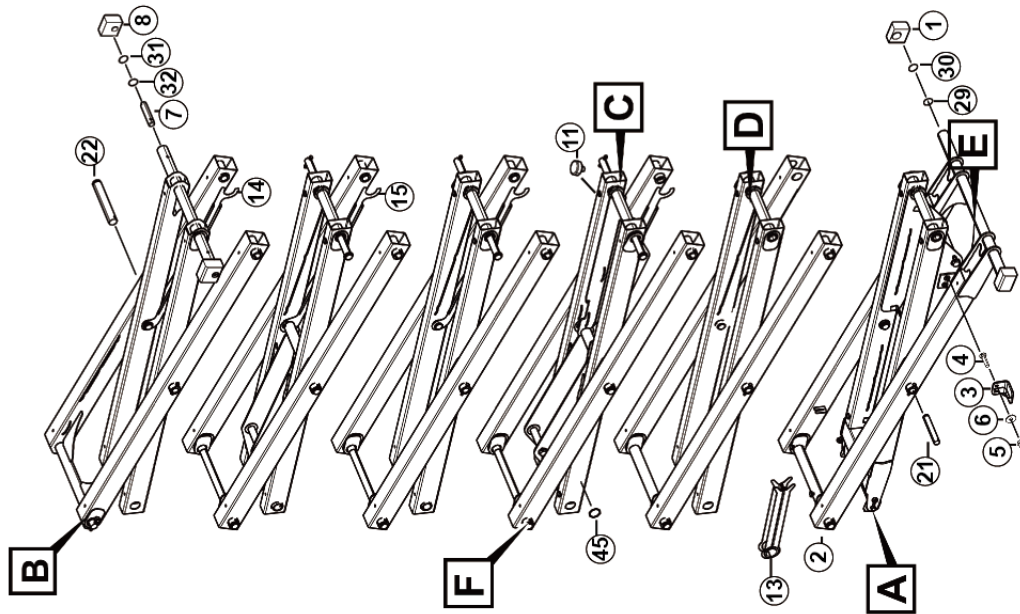


Scissor(Boom Structure) Components

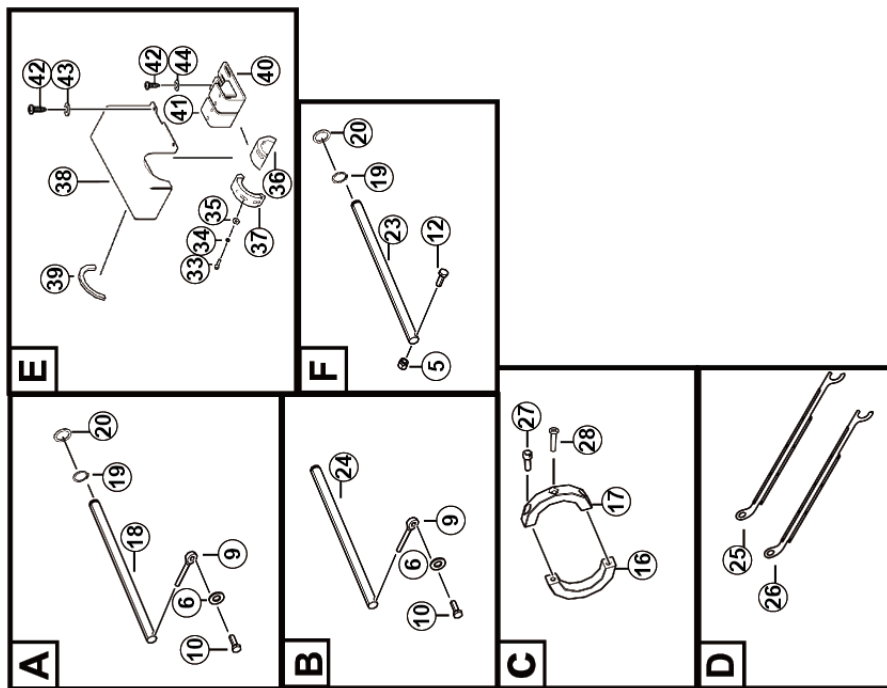
Item	Part No.	Name	Qty.	Remark
1	25200025451	Slider	2	
2	25200034313	Fork assy	1	
3	25200038481	Platen wldmt	2	
4	4011010706	Bolt GB5783-M10*40flZnyc-8.8-480	4	
5	4013010296	Nut GB889.1-M10flznyc-8	30	
6	4015010339	Washer GB97.1-10flZnyc-300HV-480	6	
7	25200000601	Half-shaft	2	
8	25200007141	Slider	2	
9	25200000641	Latch	2	
10	4011010707	Bolt GB5783-M10*30flznyc-8.8-480	2	
11	25200000402	Rubber plug	40	
12	4011010724	Bolt GB5782-M10*75flZnyc-8.8-480	26	
13	25200000443	Protective arm	1	
14	25200025302	Cabling plate assy	3	
15	25200025132	Cabling plate assy	2	
16	25200001531	Fixing ring	7	
17	25200001541	Fixing ring	7	
18	4043010164	Pin LZB001 B38*660*11	1	
19	4015010269	Snap ring JB4342-38flZnyc-65Mn-480	26	
20	25200000491	Washer 51*38*3	28	
21	4043010165	Pin LZB001 B38*880*11	8	
22	4043010166	Pin LZB001 B38*256*11	6	

E1300-2520003432.S1D-G1

Scissor assy



G1300-2520003432.S1D



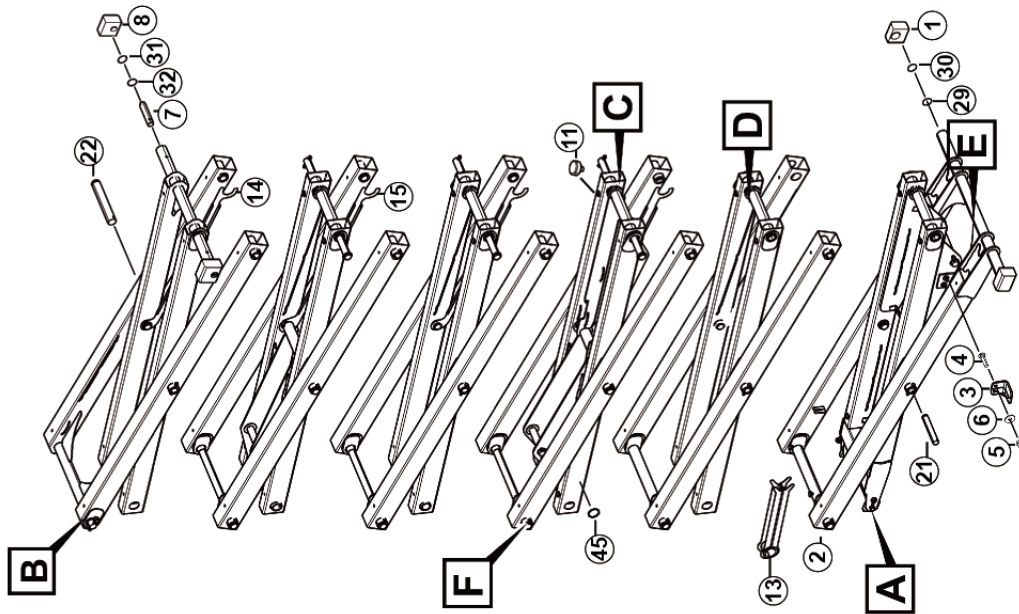


Scissor(Boom Structure) Components

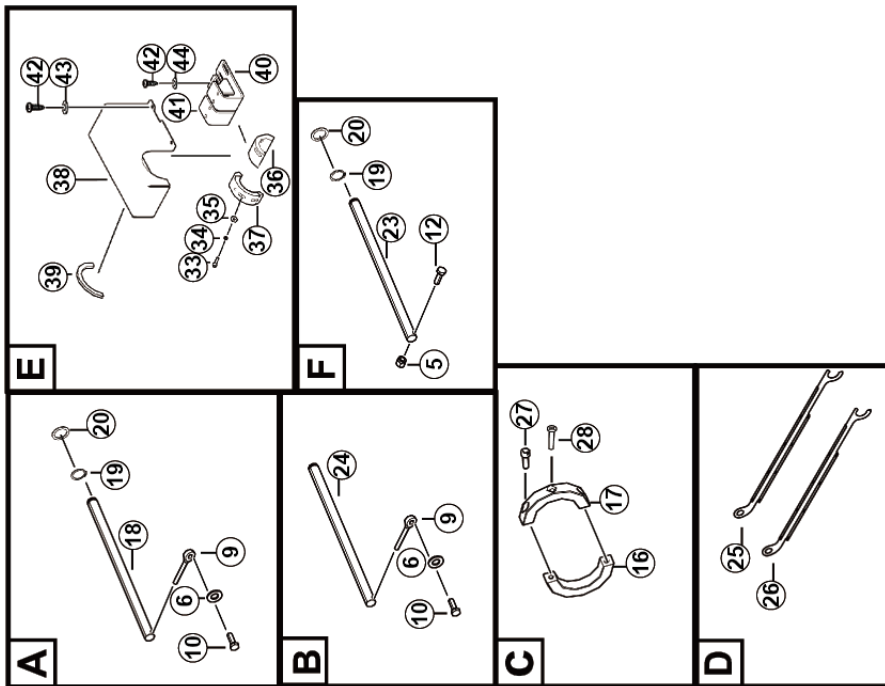
Item	Part No.	Name	Qty.	Remark
23	25200025282	Shaft	10	
24	4043010163	Pin LZB001 B38*901*11	1	
25	25200025143	Cabling plate assy	1	
26	25200025172	Cabling plate assy	1	
27	4014010112	Screw GB819.1-M6*20flZnyc-4.8-480	7	
28	4014010128	No longer used-Screw GB70.1-M5*25flZnyc-8.8-480	14	
29	25200009931	Adjustment plate	2	
30	25200009921	Adjustment plate	2	
31	25200002761	Adjusting washer	2	
32	25200002751	Adjusting washer	2	
33	4014010122	Screw GB70.1-M5*20flZnyc-8.8-480	6	
34	4015010560	Washer GB93-5flZnyc-65Mn-480	6	
35	4015010345	Washer GB96.1-5flZnyc-300HV-480	6	
36	25200036681	Upr limit block	1	
37	25200036561	Lwr limit block	2	
38	25320015381	Cover plate	1	
39	4190707135	Clip rubber bar 492990 170mm	2	
40	25200036461	Mounting plate wldmt	2	
41	25200036691	Mounting plate wldmt	1	
42	4014010132	Screw GB70.1-M6*20flznyc-8.8-480	10	
43	4015010284	Washer GB97.1-6flZnyc-300HV-480	4	
44	4015010296	Washer GB96.1-6flZnyc-300HV-480	6	

E1300-2520003432.S1D-G1

Scissor assy



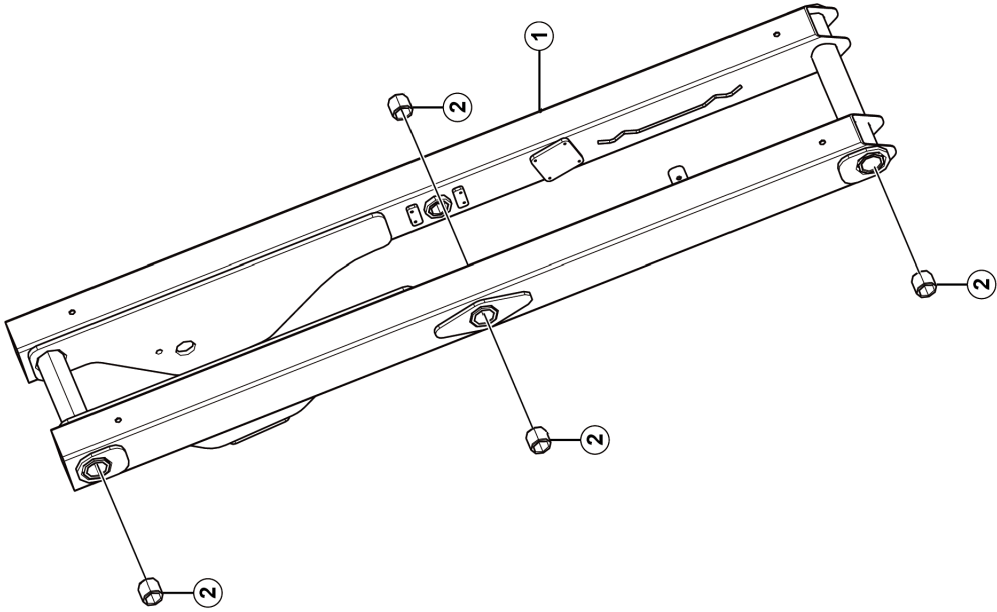
G1300-2520003432.S1D



E1300-2520003221.S1B

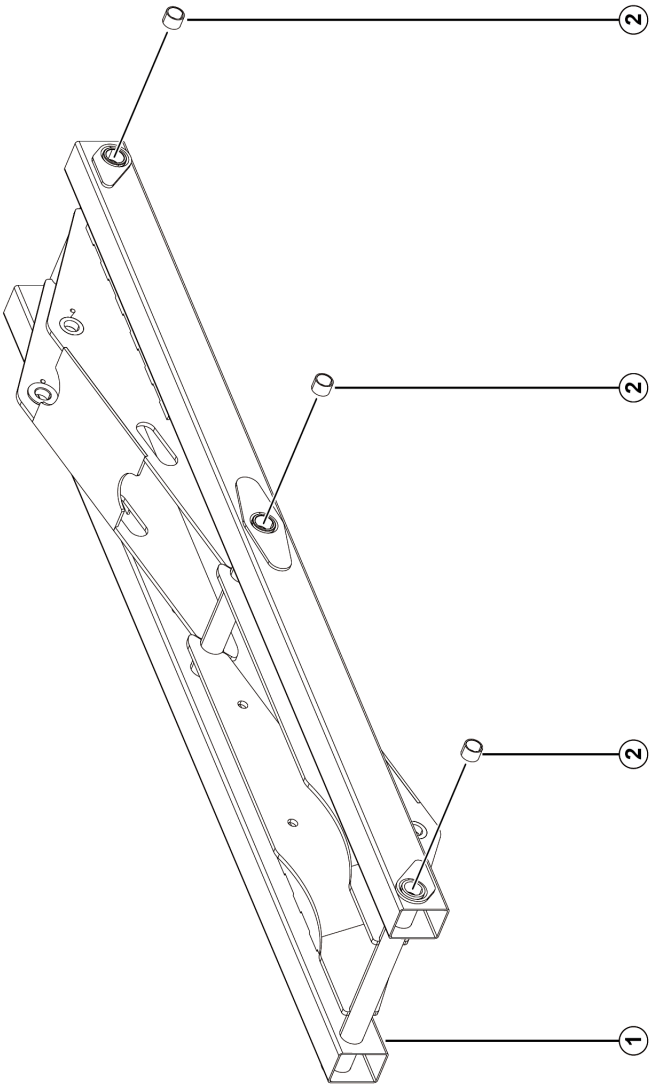
1st inner arm assy

G1300-2520003221.S1B



E2000-2520003238.S1B

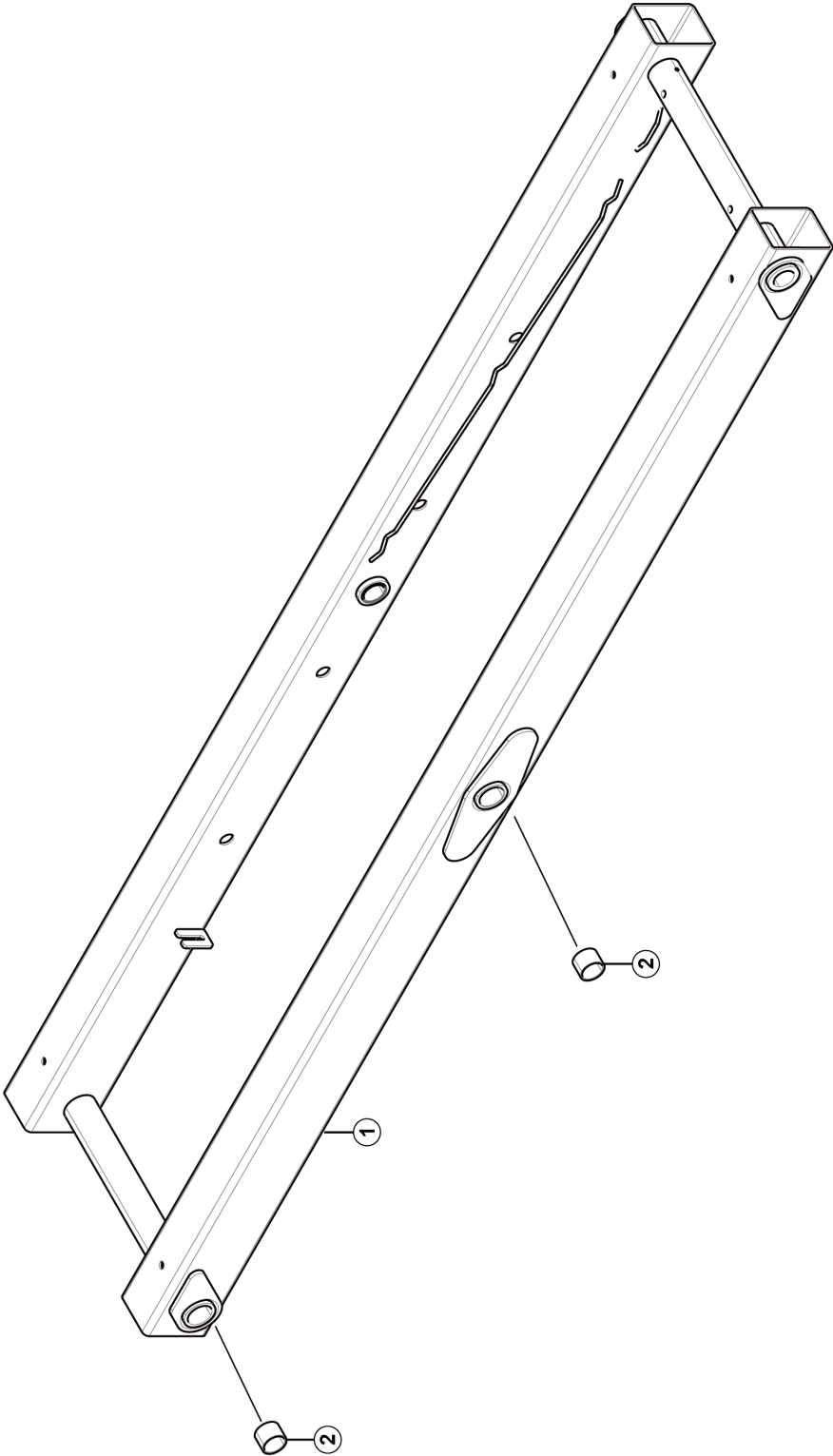
3rd inner arm assy



G2000-2520003238.S1B

E1300-2520003231.S1B

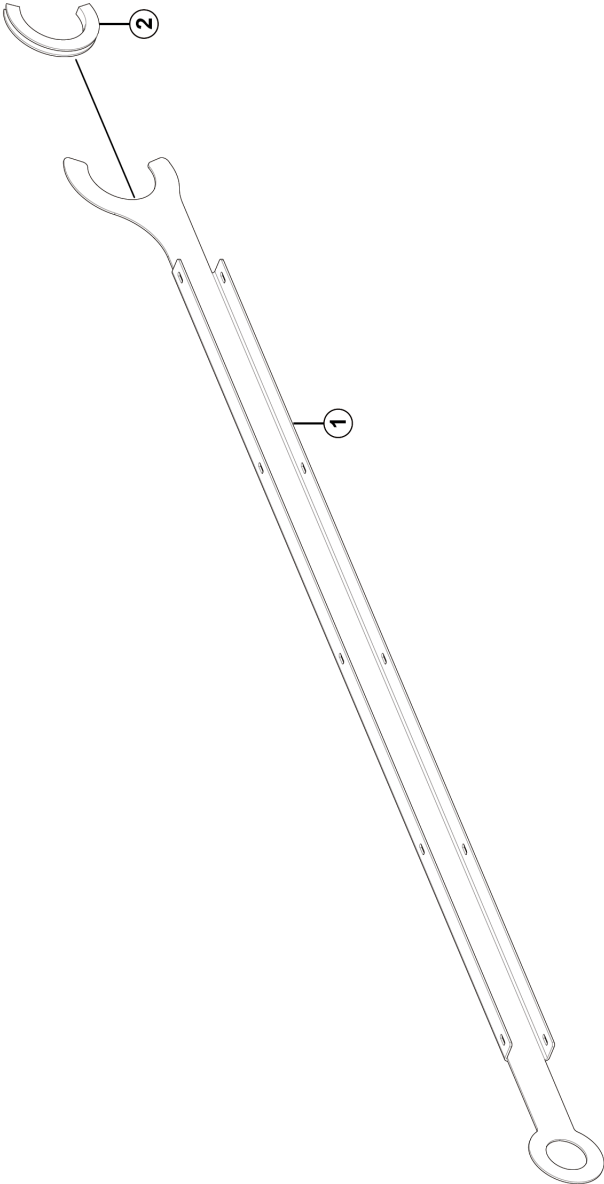
2nd inner arm assy



G1300-2520003231.S1B

E1300-2520002517.S1B

Cable routing plate assy



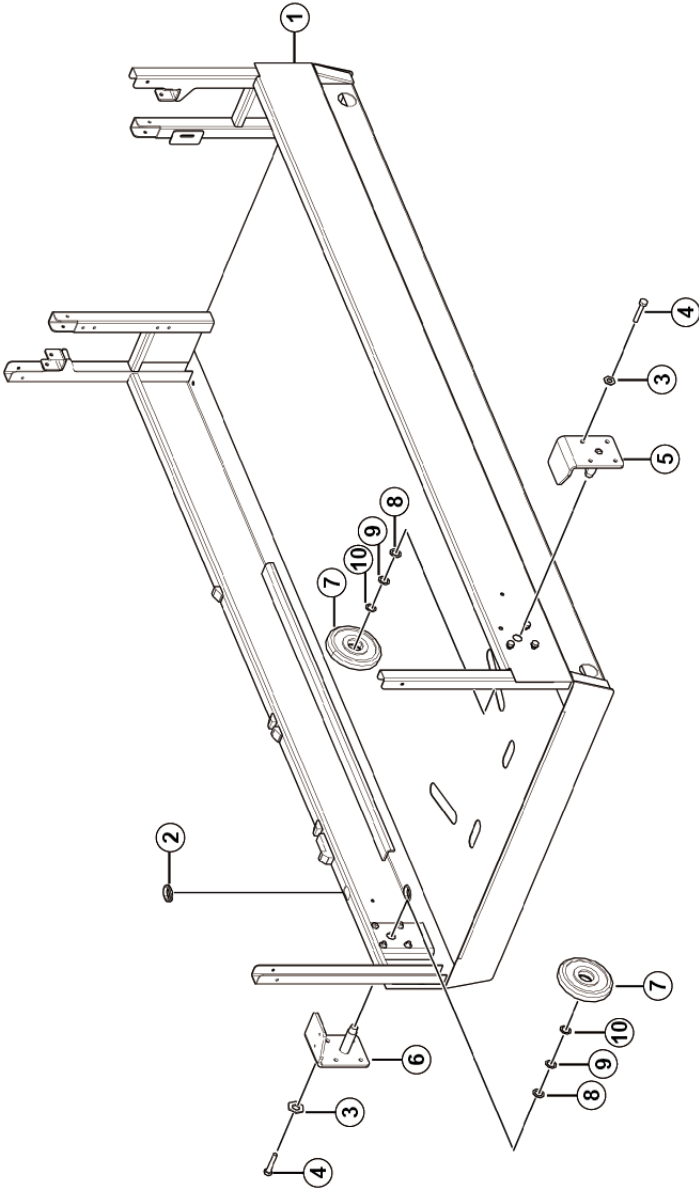
G1300-2520002517.S1B

F

Platform Components

F2100-2521007316.S1A-G1

Main platform assy



K2100-2521007316.S1A

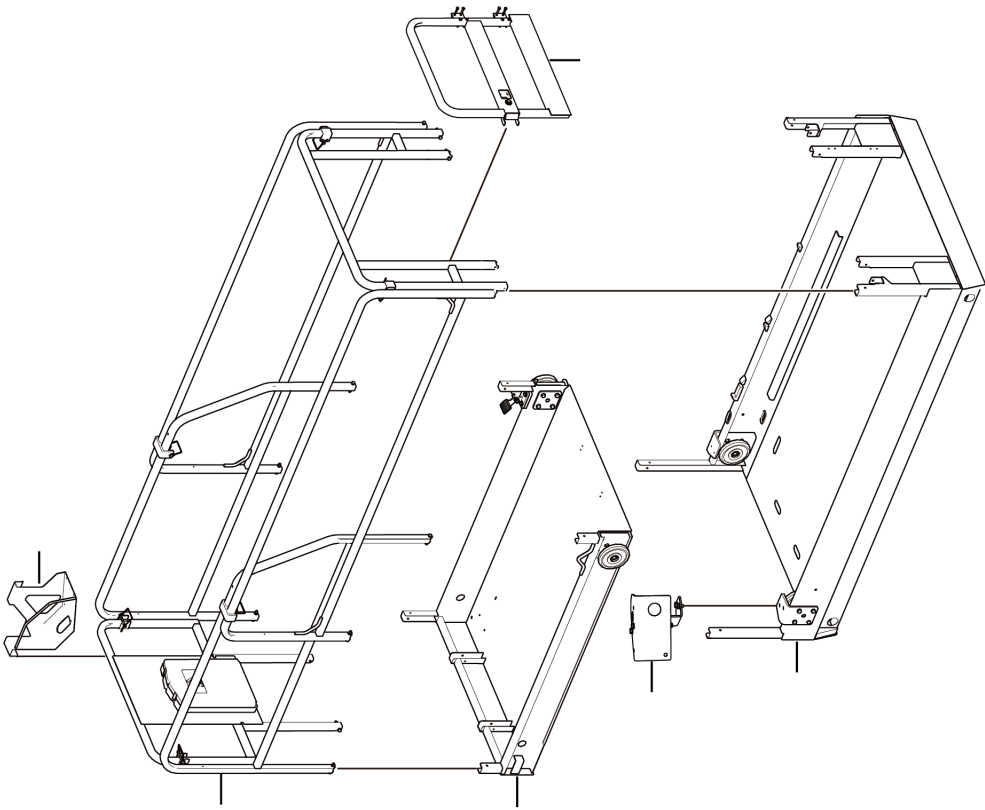


Platform Components

Item	Part No.	Name	Qty.	Remark
1	25210073171	Main platform wldmt	1	
2	25210065411	Platform wire sleeve	3	
3	4015010339	Washer GB97.1-10fIZnyc-300HV-480	8	
4	4011010732	Bolt GB5782-M10*50fIZnyc-8.8-480	8	
5	25210021043	Wheel frame	1	
6	25210030191	Wheel frame	1	
7		Wheel assy		For illustration
8	25210011182	Adjusting gasket 20*1	2	
9	25210011192	Adjusting gasket 20*0.5	2	
10	25210011172	Adjusting gasket 20*2	2	

F2100-2521007405.S1A-G1

Platform assy

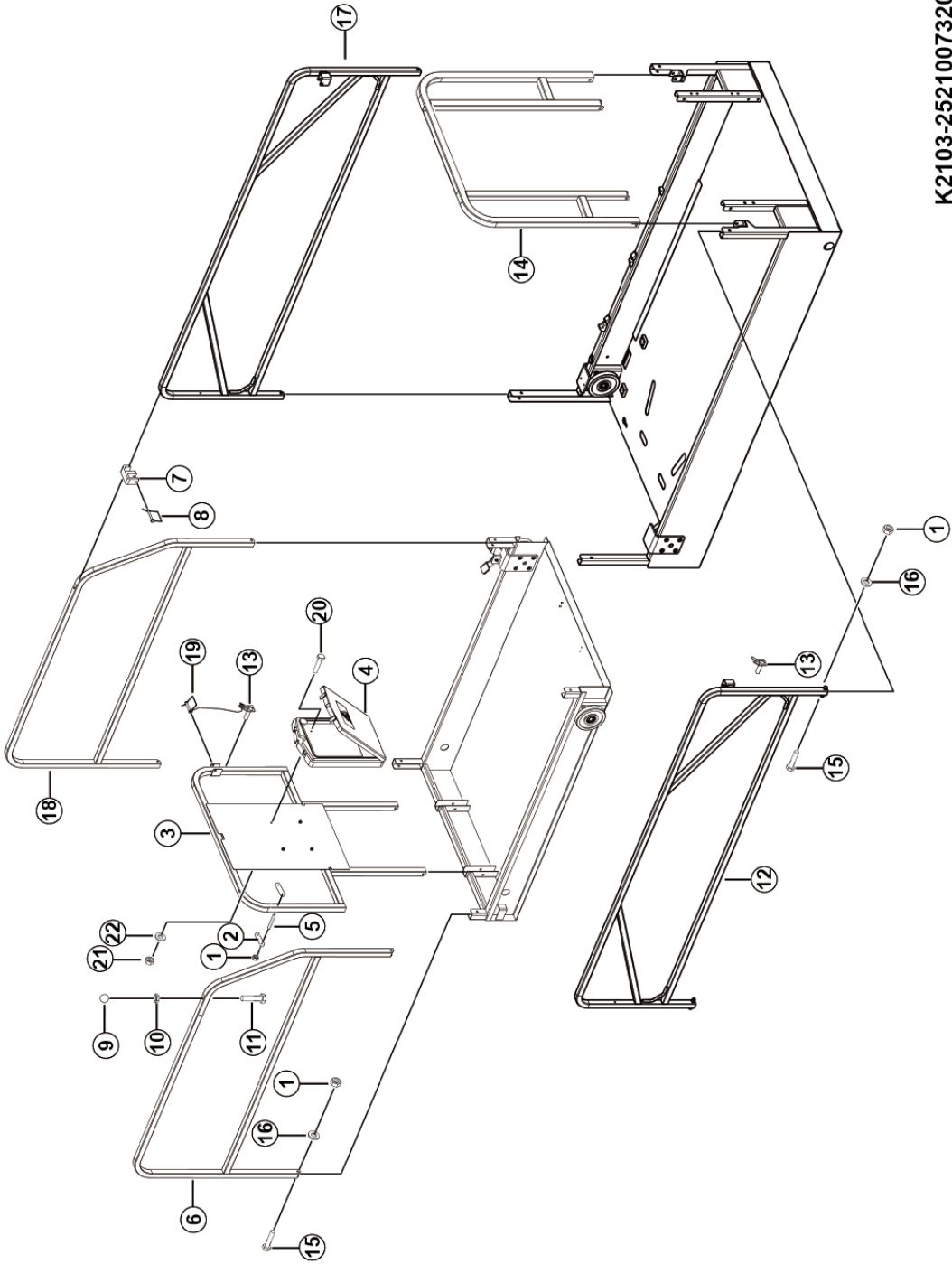




Platform Components

Item	Part No.	Name	Qty.	Remark
1		Main platform assy		For illustration
2		Extension platform assy		For illustration
3		Guardrail assy		For illustration
4		Semi-swing door assy		For illustration
5		Plug fixing assy		For illustration
6	25210068861	PCU bracket	1	





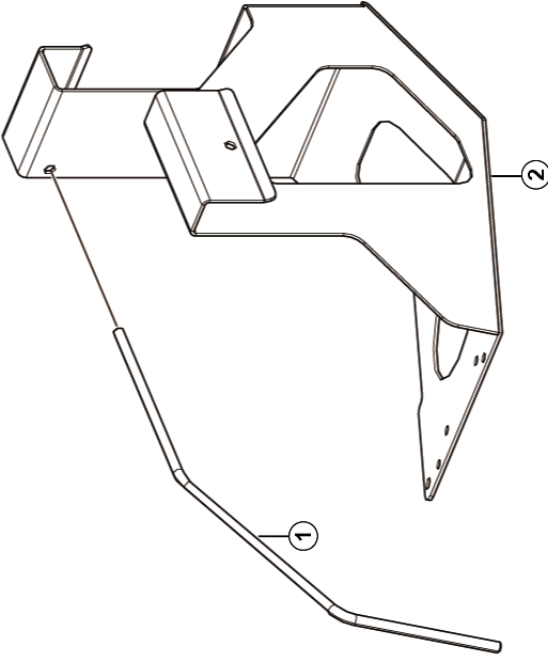
K2103-2521007320.S1A

Item	Part No.	Name	Qty.	Remark
1	4013010297	Nut GB889.1-M8fIznyc-8-480	18	
2	25210047761	Guard	6	
3	25210047804	FR guardrail wldmt	1	
4	25210000821	File box	1	
5	25210047751	Shaft	3	
6	25210072611	Extension platform (LH) guardrail	1	
7	25210013702	M-fixing seat	2	
8	4190002586	Pin-square pin with ear 9.5*70	2	
9	4190001587	Ball handle 462102	2	
10	4013010371	Nut GB6172.1-M10fIznyc-10-480	2	
11	4011010976	Bolt GB5783-M10*50fIznyc-8.8-480	2	
12	25210071731	Main platform (LH) guardrail	1	
13	4019010209	Rivet GB12619-5*9	4	
14	25210038694	RR column	1	
15	4011010919	Bolt GB5782-M8*55fIznyc-8.8-480	14	
16	4015010280	Washer GB97.1-8fIznyc-300HV-480	32	
17	25210071751	Main platform (RH) guardrail	1	
18	25210072631	Extension platform (RH) guardrail	1	
19	4190703890	D-pin 8*65 (With 200mm chain & steel plate)	4	
20	4011010757	Bolt GB16674-M6*20fIznyc-8.8	4	
21	4013010300	Nut GB889.1-M6fIznyc-8-480	4	
22	4015010284	Washer GB97.1-6fIznyc-300HV-480	4	

F2100-2521006886.S1A-G1

PCU bracket

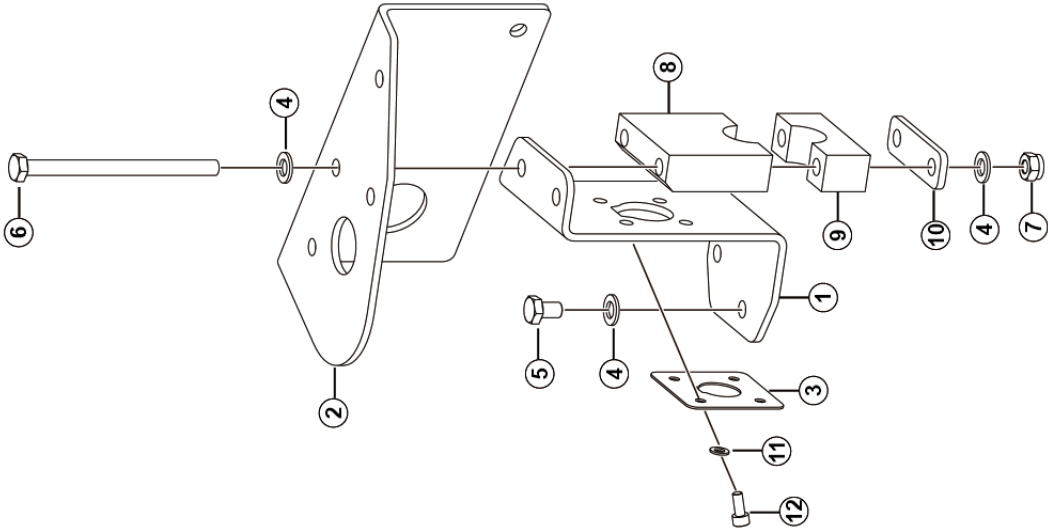
K2100-2521006886.S1A



F2100-2521006635.S1A-G1

Plug fixing assy

K2100-2521006635.S1A





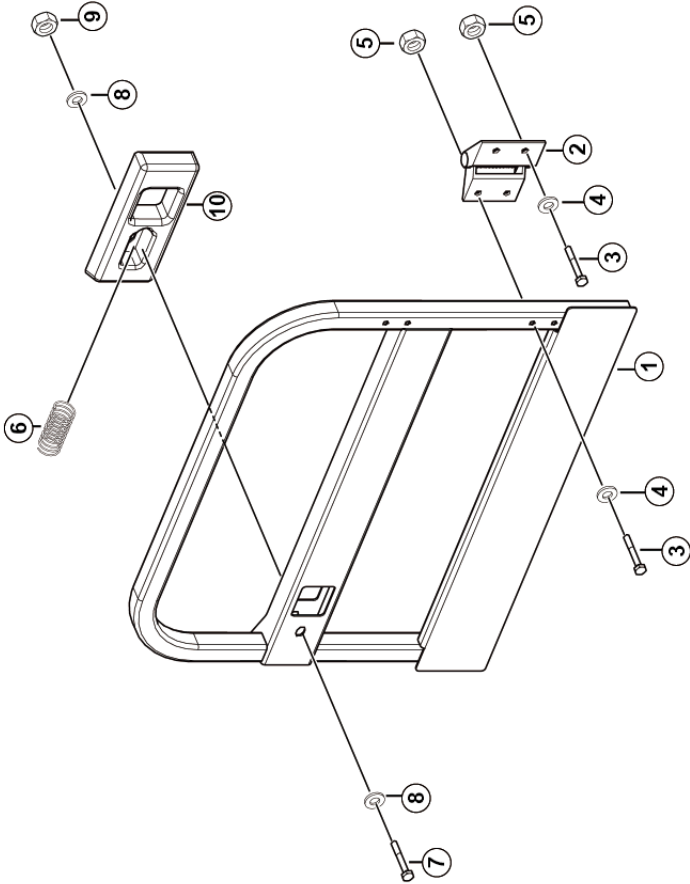
Platform Components

Item	Part No.	Name	Qty.	Remark
1	25210041901	Bracket wldmt	1	
2	25210066361	Backplate	1	
3	25210041872	Plug guard	1	
4	4015010280	Washer GB97.1-8flZnyc-300HV-480	6	
5	4011010746	Bolt GB5783-M8*12flznyc-8.8-480	2	
6	4011011168	Bolt GB5782-M8*110flZnyc-8.8-480	2	
7	4013010314	Nut GB6185.1-M8flZnyc-8-480	2	
8	25210041911	Upr plug retaining clip	1	
9	25210036671	Lwr plug retaining clip	1	
10	25300005821	Platen	1	
11	4015010283	Washer GB97.1-5flZnyc-300HV-480	4	
12	4014010357	Screw GB70.1-M5*12flznyc-8.8-480	4	

F2100-2521003865.S-G2

Half-height swing gate assy

K2100-2521003865.S





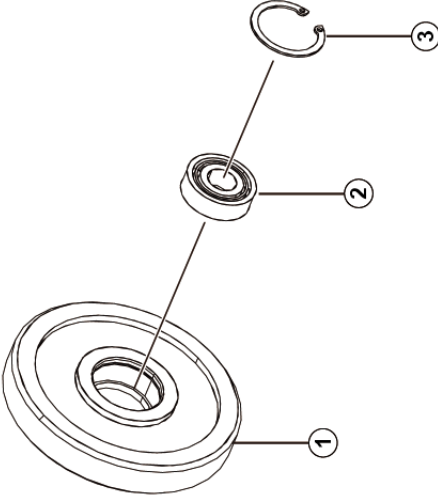
Platform Components

Item	Part No.	Name	Qty.	Remark
1	25210036513	Revolving door wldmt	1	
2	4190001525	Spring hinge X022	2	
3	4011000611	Bolt GB5782-M6*45EpZn-8.8	8	
4	4015000207	Washer GB97.1-6EpZn-300HV	8	
5	4013000211	Nut GB889.1-M6EpZn-8	8	
6	25210002071	Spring	1	
7	4011000049	Bolt GB5782-M10*55EpZn-8.8	1	
8	4015000197	Washer GB96.1-10EpZn-300HV	2	
9	4013000189	Nut GB889.1-M10EpZn-8	1	
10	25210011051	Plastic block	1	

F2100-2521003593.S2A-G1

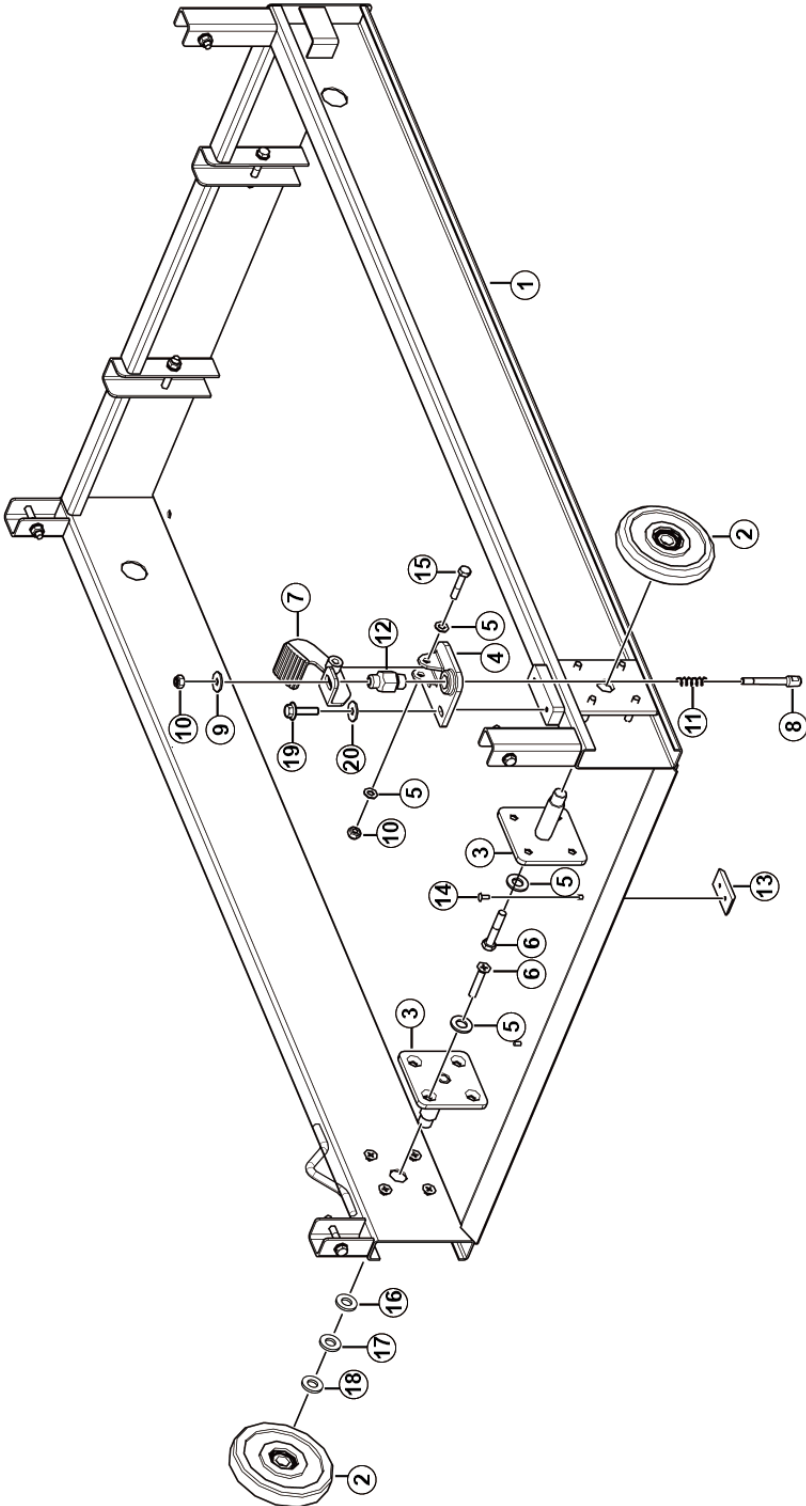
Wheel assy

K2100-2521003593.S2A



F2100-2521004773.S1B-G4

Extension platform assy



K2100-2521004773.S1B

Item	Part No.	Name	Qty.	Remark
1	25210047713	Extension platform wldmt	1	
2		Wheel assy		For illustration
3	25210030211	Wheel frame	2	
4	25210012192	Mount	1	
5	4015010339	Washer GB97.1-10flZnyc-300HV-480	10	
6	4011010741	Bolt GB5782-M10*55flznyc-8.8-480	8	
7	25210036501	Pedal	1	
8	25210002911	Spring pin	1	
9	4015010278	Washer GB96.1-10flZnyc-300HV-480	1	
10	4013010296	Nut GB889.1-M10flznyc-8	2	
11	25210002901	Spring	1	
12	25210002891	Spring seat	1	
13	25210012251	Slider	2	
14	4019010177	Rivet GB12619-6*18	4	
15	4011011195	Bolt GB5782-M10*50flZnyc-10.9-480	1	
16	25210011172	Adjusting gasket 20*2	2	
17	25210011182	Adjusting gasket 20*1	2	
18	25210011192	Adjusting gasket 20*0.5	2	
19	4011011026	Bolt GB5783-M8*20flZnyc-10.9-480	2	
20	4015010289	Washer GB96.1-8flZnyc-300HV-480	2	

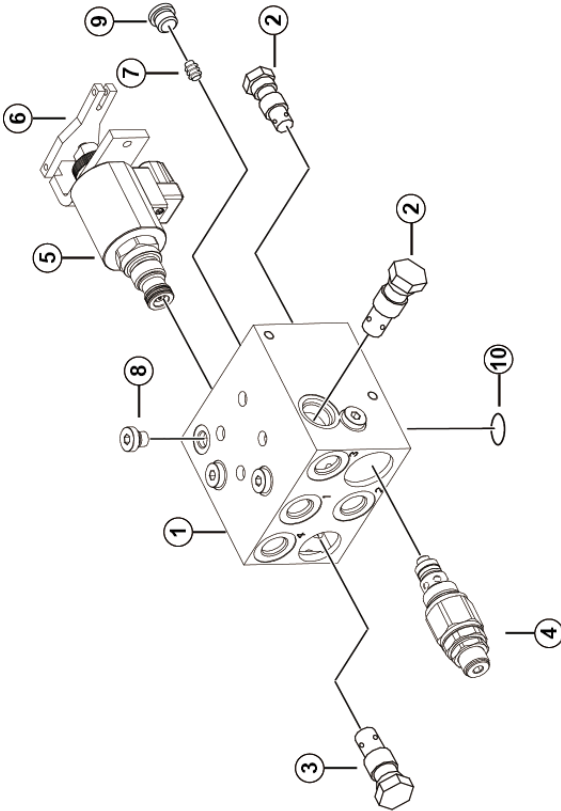
H

**Hydraulic Hose Routing and
Fittings**

H2402-4120703742

Hyd cyl valve manifold ST4846-AC0A

L2402-4120703742



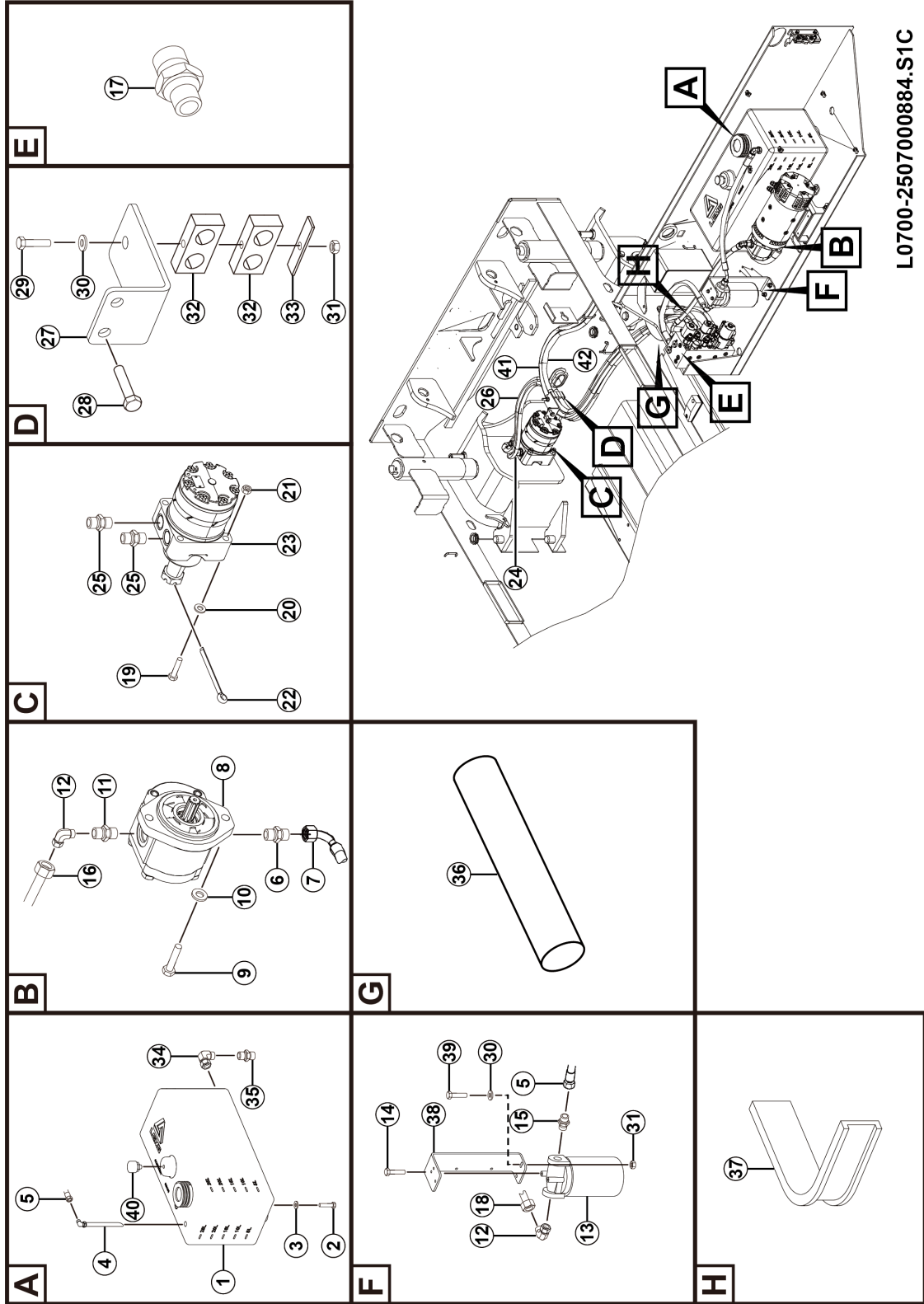


Hydraulic Hose Routing and Fittings

Item	Part No.	Name	Qty.	Remark
1	4120703742001	Manifold block ST4846-A00AM	1	
2	4120001490007	Check valve 36*22	2	
3	4120703744003	Check valve STCV08-0-002A	1	
4	4120001901001	Relief valve assy STRV08-B-120A	1	
5		No longer used-Proportional solenoid valve PJ16084A0		For illustration
6	4120703742011	Emergency mechanism STTY039 (34*62.5*25)	1	
7	4120001159010	Orifice plate STTY002-0.6 (M6)	1	
8	4129900116002	Plug 4BN-02WD	4	
9	4120002398	Plug 4MN-14WD	1	
10	4120002399	O-ring 10.77*2.62	1	

H0700-2507000884.S1C-G1

Traveling motor assy



L0700-2507000884.S1C

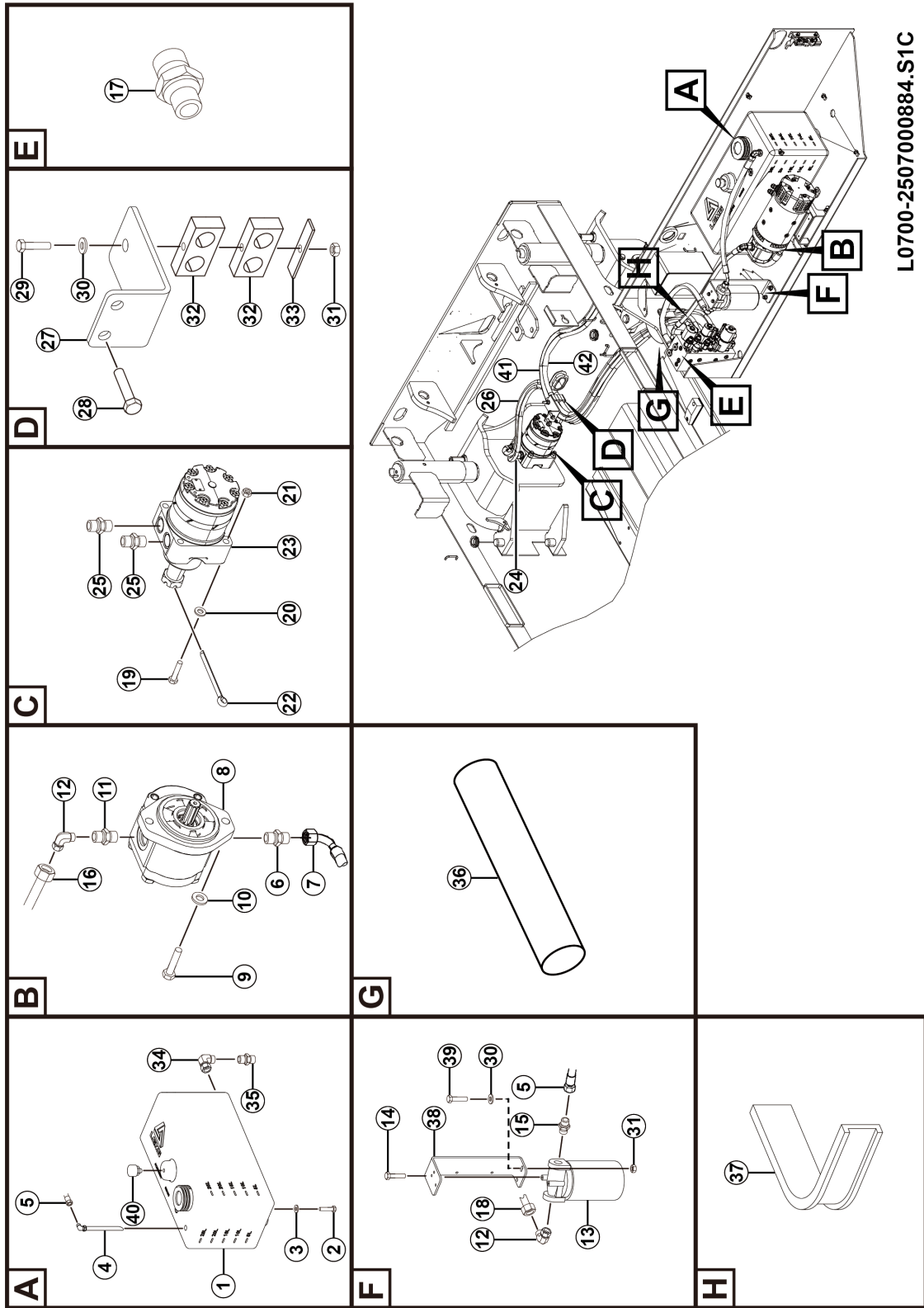


Hydraulic Hose Routing and Fittings

Item	Part No.	Name	Qty.	Remark
1	4120703601	Hyd tank 25L	1	
2	4011010711	Bolt GB5783-M8*20flznyc-8.8-480	4	
3	4015010289	Washer GB96.1-8flZnyc-300HV-480	4	
4	25070000721	Oil return pipe assy	1	
5	4120710053-004	Hose F481CACE121208-570	1	
6	4120002235	Joint GE15LREDOMDCF	1	
7	4120705971-003	Hose F481CACF151510-420	1	
8	4120001488	Gear pump A101098620	1	
9	4011011073	Bolt 3/8-24UNF-2B*31flZnyc-10.9-480	2	
10	4015010339	Washer GB97.1-10flZnyc-300HV-480	2	
11	4120001373	Joint GE12LR1/2EDOMDCF	1	
12	4129900314	Joint EW12LOMDA3C	1	
13	4120001128	Oil return filter SP-06*10 R3/4	1	
14	4011010735	Bolt GB16674.1-M6*16flZnyc-8.8-480	2	
15	25070000091	Straight joint	2	
16	4120706474-004	Hose F471TCCACF121206-550	1	
17	4120001224	Joint GE12LREDOMDCF	6	
18	4120708722-002	Hose F481CACF121208-500	1	
19	4011010885	Bolt GB5782-M12*90flZnyc-10.9-480	8	
20	4015010340	Washer GB97.1-12flZnyc-300HV-480	8	
21	4013010368	Nut GB889.1-M12flznyc-10-480	8	
22	4016010143	Pin GB91-4*70flZnyc-Q235A-480	2	

H0700-2507000884.S1C-G1

Traveling motor assy



L0700-2507000884.S1C

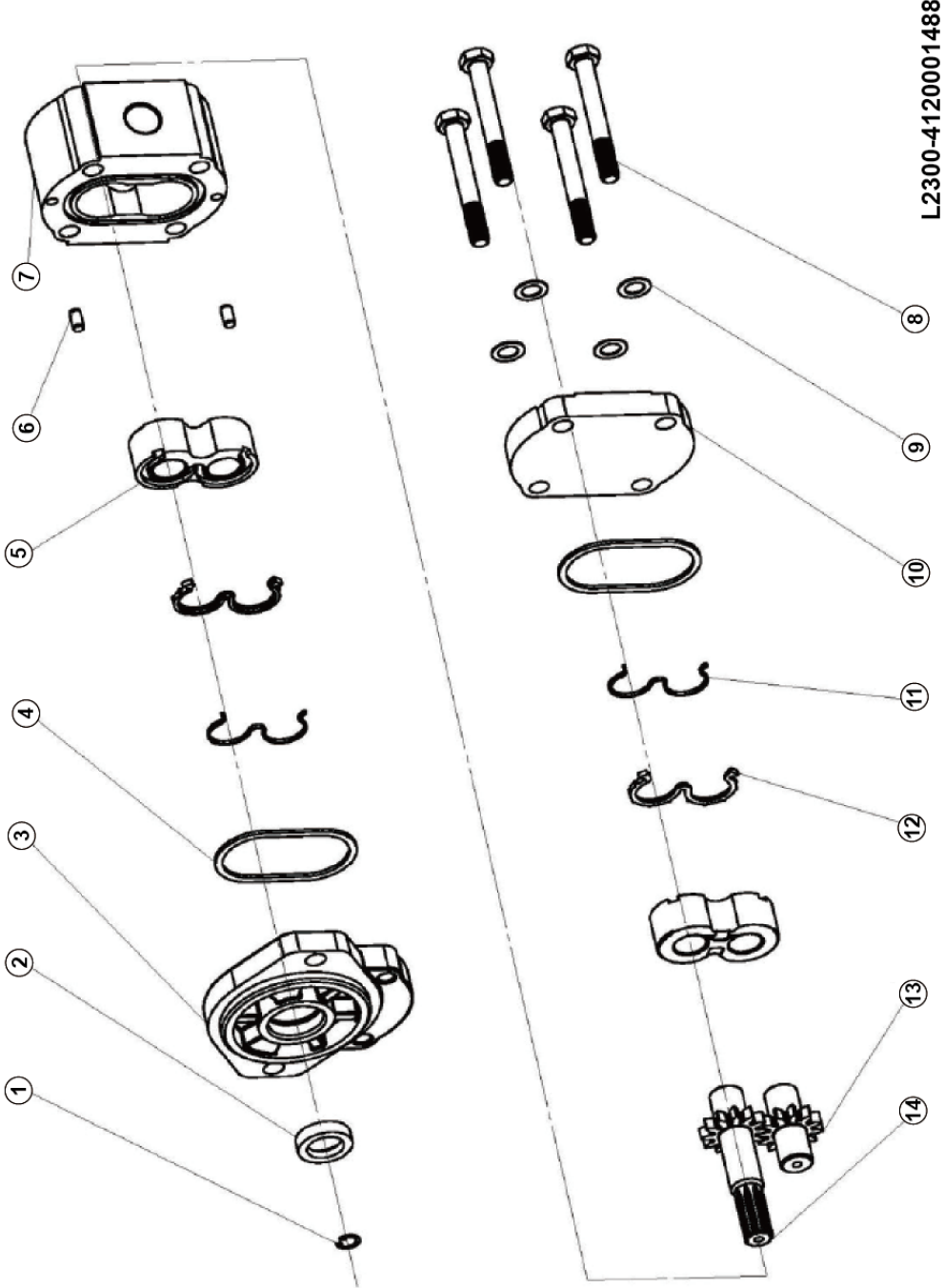


Hydraulic Hose Routing and Fittings

Item	Part No.	Name	Qty.	Remark
23	4120704261	Traveling motor 530395T3531AAAAA	2	
24	4120705472-002	Hose F471TCCACE121206-1800-PG750	1	
25	4190000147	Joint GE12L9/16UNFOMDA3C	1	
26	4120705472-001	Hose F471TCCACE121206-1800-PG750	1	
27	25070000751	Clamp fixing plate	1	
28	4011011017	Bolt GB16674.1-M8*30fZnyc-8.8-480	2	
29	4011011023	Bolt GB16674.1-M8*85fZnyc-8.8-480	1	
30	4015010280	Washer GB97.1-8fZnyc-300HV-480	3	
31	4013010297	Nut GB889.1-M8fZnyc-8-480	3	
32	4120002061	Pipe clamp TTPG-217.2	2	
33	4120001949	Cover plate TT-G2	1	
34	4129900308	Joint EW15LOMDA3C	1	
35	4120707646	Oil suction joint M22*1.5-M22*1.5	1	
36	4120703783	Braided sheath FH-Φ150-400	1	
37	27320100161	ADHESIVE TAPE	2	
38	25070008394	Filter bracket	1	
39	4011010994	Bolt GB16674.1-M8*25fZnyc-8.8-480	2	
40	4120001375	Breather KKL-6X1CL	1	
41	4120705472-003	Hose F471TCCACE121206-1800-PG750	1	
42	4120002355	Motor hose F471TCCACE121206-1700	1	

H2300-4120001488-G1

Gear pump assy A101098620 (10486)



L2300-4120001488



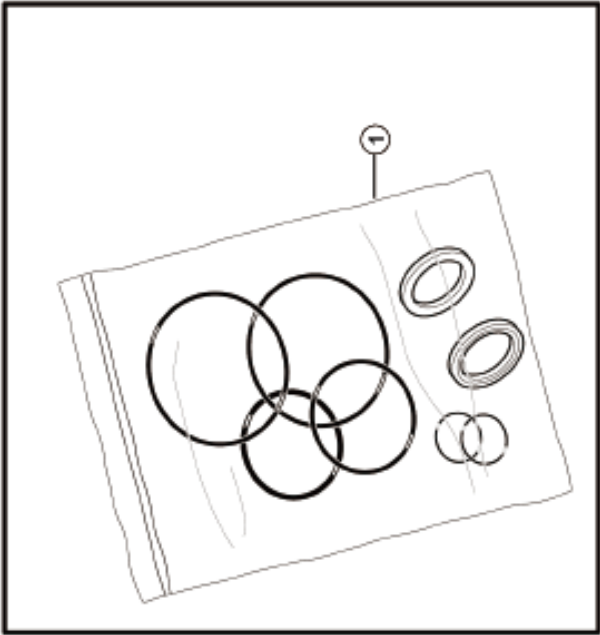
Hydraulic Hose Routing and Fittings

Item	Part No.	Name	Qty.	Remark
1	4120001431005	Snap ring P03700013	1	
2	4120001431002	Oil seal P01200050	1	
3	4120001431006	Front cover A012010236	1	
4	4120001431003	Outer seal ring P01010072	2	
5	4120001431007	Shaft sleeve assy A012460054	2	
6	4120001431008	Fixing pin P03420002	2	
7	4120001488001	Unit pump A012107630	1	
8	4120001488002	Bolt P03100114	4	
9	4120001488003	Washer P03610032 (10/GBT860)	4	
10	4120001488004	RR cover A012020121	1	
11	4120001431004	E-shaped snap ring P01100025CBT-F2508-06B	2	
12	4120001431013	E-shaped sealing ring P01020077NCB-10A	2	
13	4120001488005	Driven gear A012300223	1	
14	4120001488006	Drive gear A012203638	1	

H2401-4120704504

Lift hyd cylinder assy (10570)

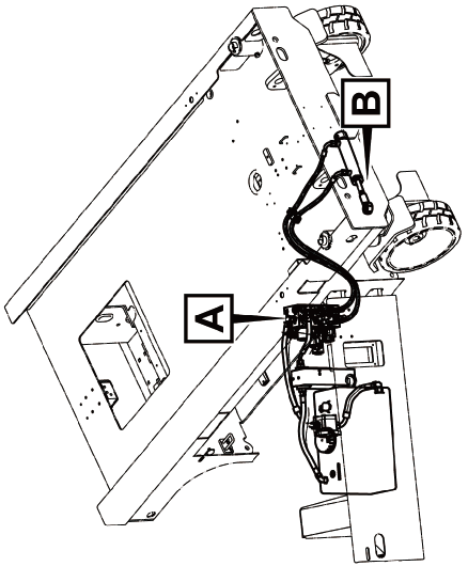
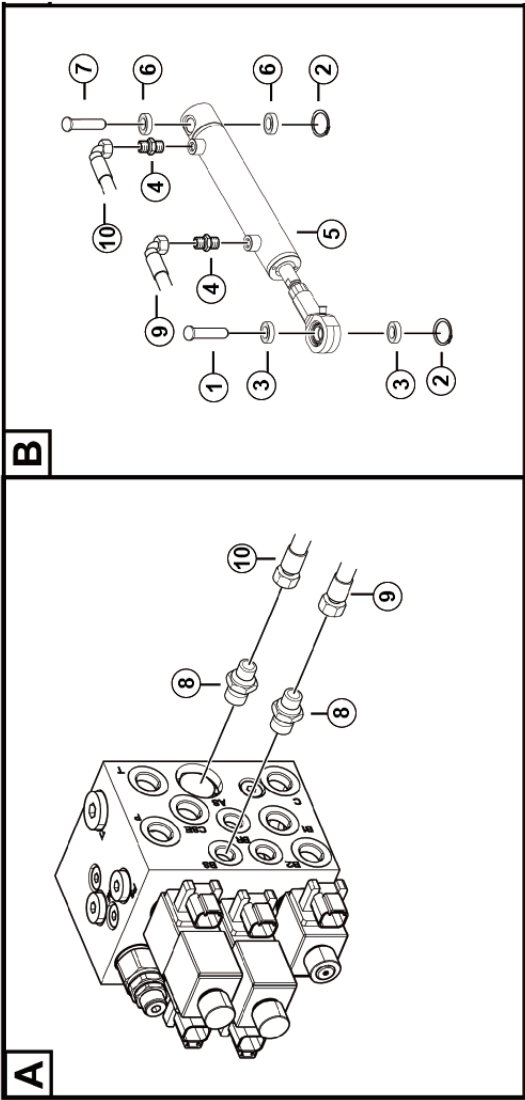
L2401-4120704504



H2300-2507000634.S1A-G2

Steering hyd assy

L2300-2507000634.S1A





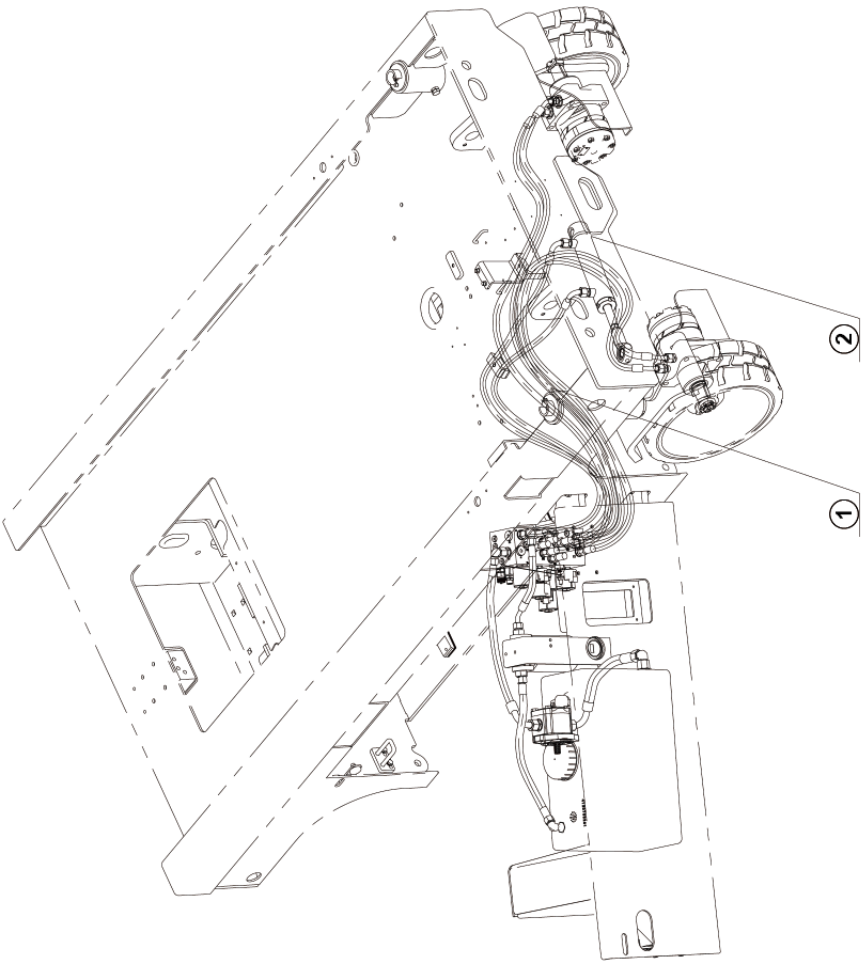
Hydraulic Hose Routing and Fittings

Item	Part No.	Name	Qty.	Remark
1	25070002543	Steering hyd cylinder pin	1	
2	4015010295	Snap ring GB894.1-19flZnyc-65Mn-480	2	
3	25070002524	Shaft sleeve	2	
4	4120001177	Joint GE08L7/16UNFOMDCF	2	
5	4120704747	Steering hyd cyl 40*20*135-400	1	
6	25070002531	Shaft sleeve 1	2	
7	25160001342	Hyd cylinder pin	1	
8	4120001170	Joint GE08LREDOMDCF	2	
9	4120705458	Hose F471TCCACF080804-1550	1	
10	4120705459	Hose F471TCCACF080804-1300	1	

H0700-2507000885.S1A-G1

Traveling hyd assy

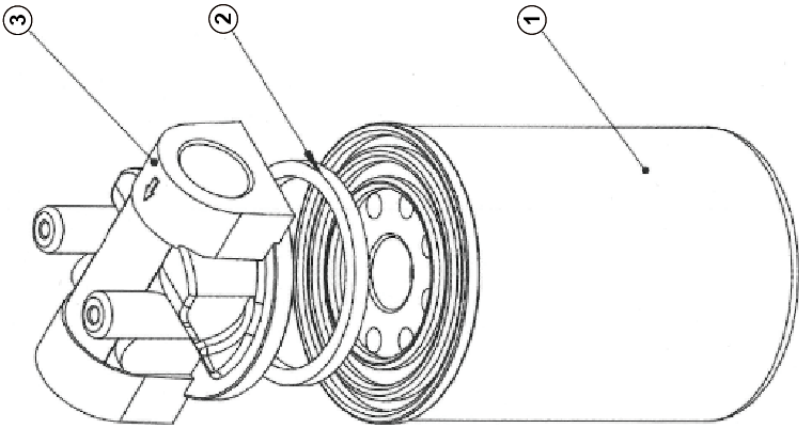
L0700-2507000885.S1A



H2300-4120001128-G2

Filter assy SP-06*10

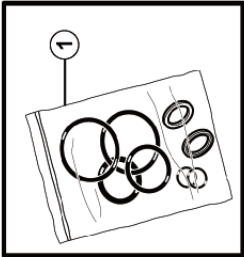
L2300-4120001128



H2301-4120704747-G1

Steering hyd cyl assy (10570)

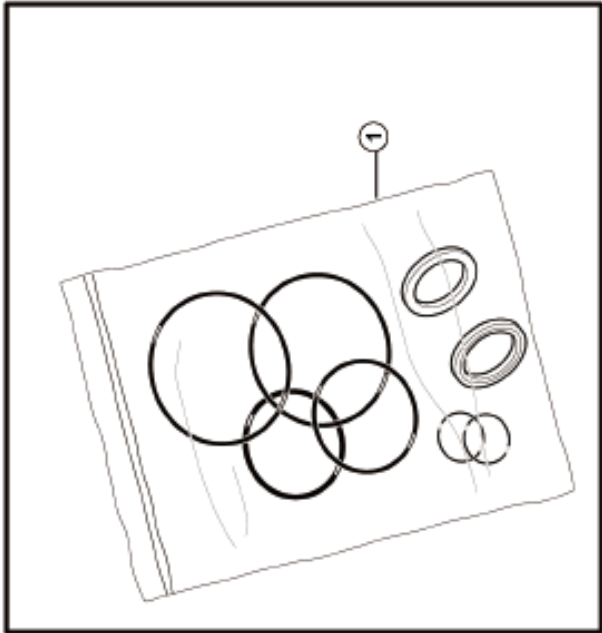
L2301-4120704747



H2401-4120704503

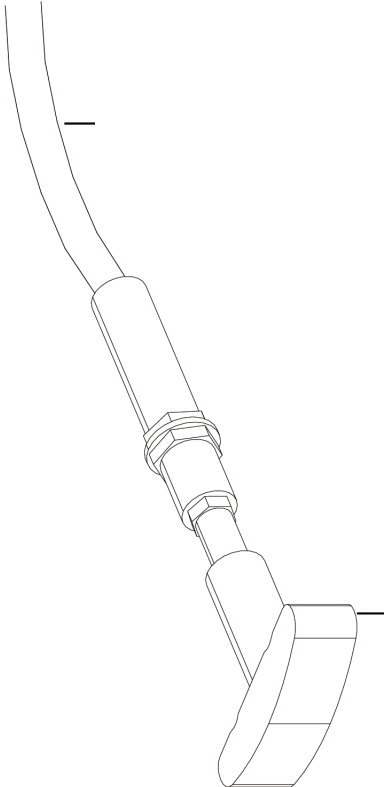
Lift hyd cylinder assy (10570)

L2401-4120704503



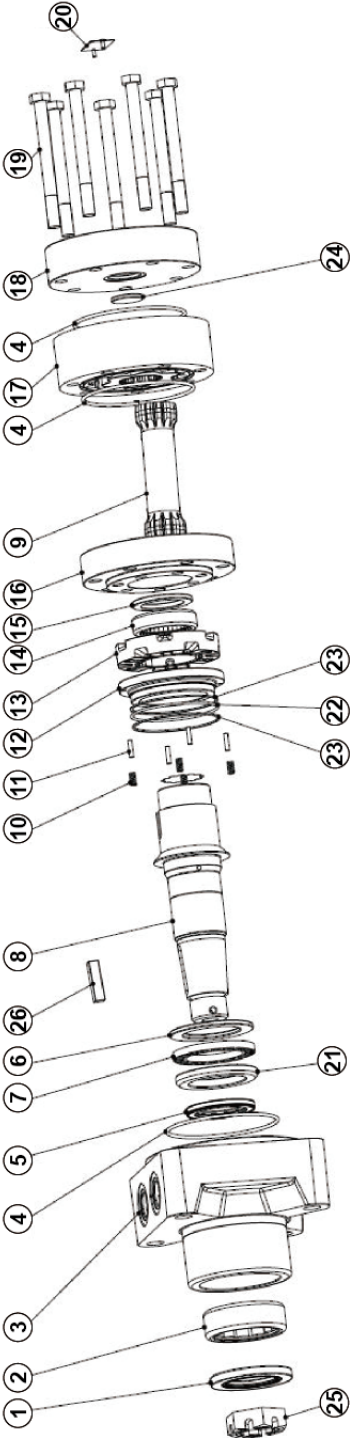
H2400-2508000615.S-G1

Emergency down cable assy



H2300-4120704261

Traveling motor assy 530395T3531AAAA

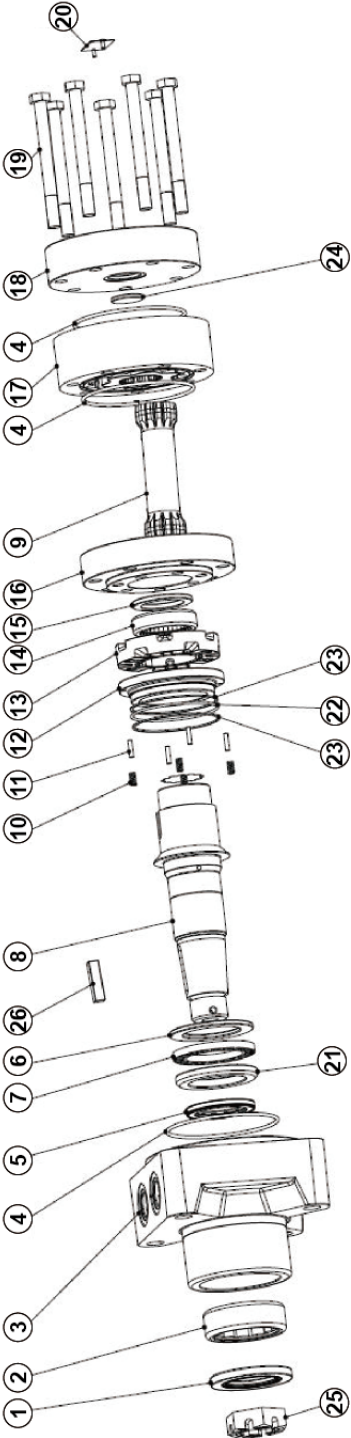


L2300-4120704261

Item	Part No.	Name	Qty.	Remark
1		Bearing seal 5987016-001		For illustration
2		Bearing 5986832-001		For illustration
3		Housing 6043801-001		For illustration
4		Seal ring 5986912-001		For illustration
5		High pressure seal 5993120-001		For illustration
6		Bearing snap ring 4999849-001		For illustration
7		Thrust bearing Z181-12		For illustration
8		Output shaft 6043805-006		For illustration
9		Linkage shaft 6043806-007		For illustration
10		Helical spring 7383-000		For illustration
11		Pin 6043890-001		For illustration
12		Balance plate 6043803-001		For illustration
13		Valve 4999904-001		For illustration
14		Bearing 5990407-001		For illustration
15		Gasket 6044293-002		For illustration
16		Valve plate 6043808-002		For illustration
17		Stator and rotor pair 6045455-007		For illustration
18		Rear cover 6043804-003		For illustration
19		Nut 14384-002		For illustration
20		Part nameplate P075		For illustration
21		Bearing snap ring 4999849-003		For illustration
22		O-ring 250016-037		For illustration

H2300-4120704261

Traveling motor assy 530395T3531AAAA



L2300-4120704261



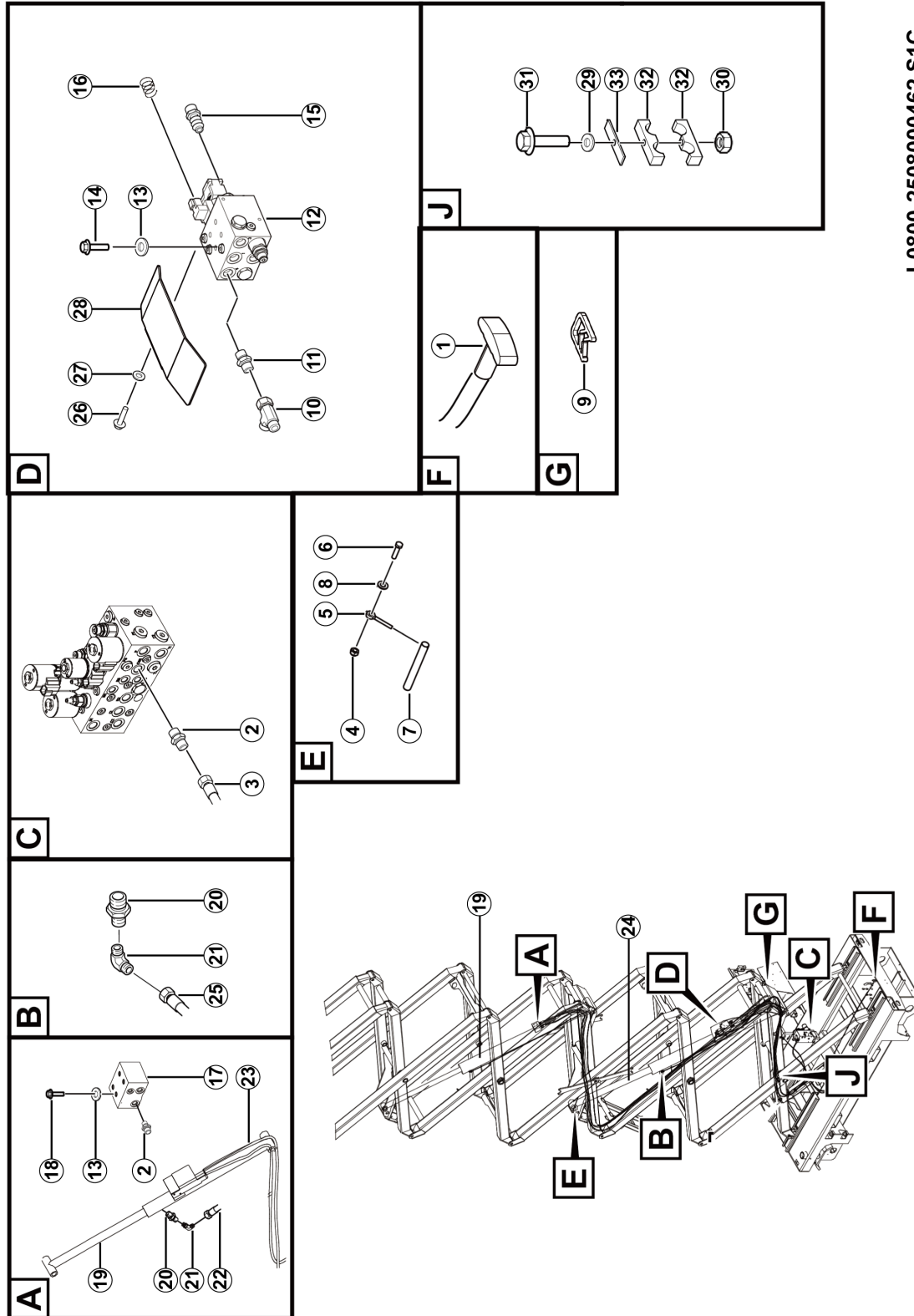
Hydraulic Hose Routing and Fittings

Item	Part No.	Name	Qty.	Remark
23		Snap ring 5990003-001		For illustration
24		Gasket 6044293-001		For illustration
25		Nut E307		For illustration
26		Key 14392-008		For illustration



H0800-2508000462.S1C-G2

Lift hyd assy



L0800-2508000462.S1C

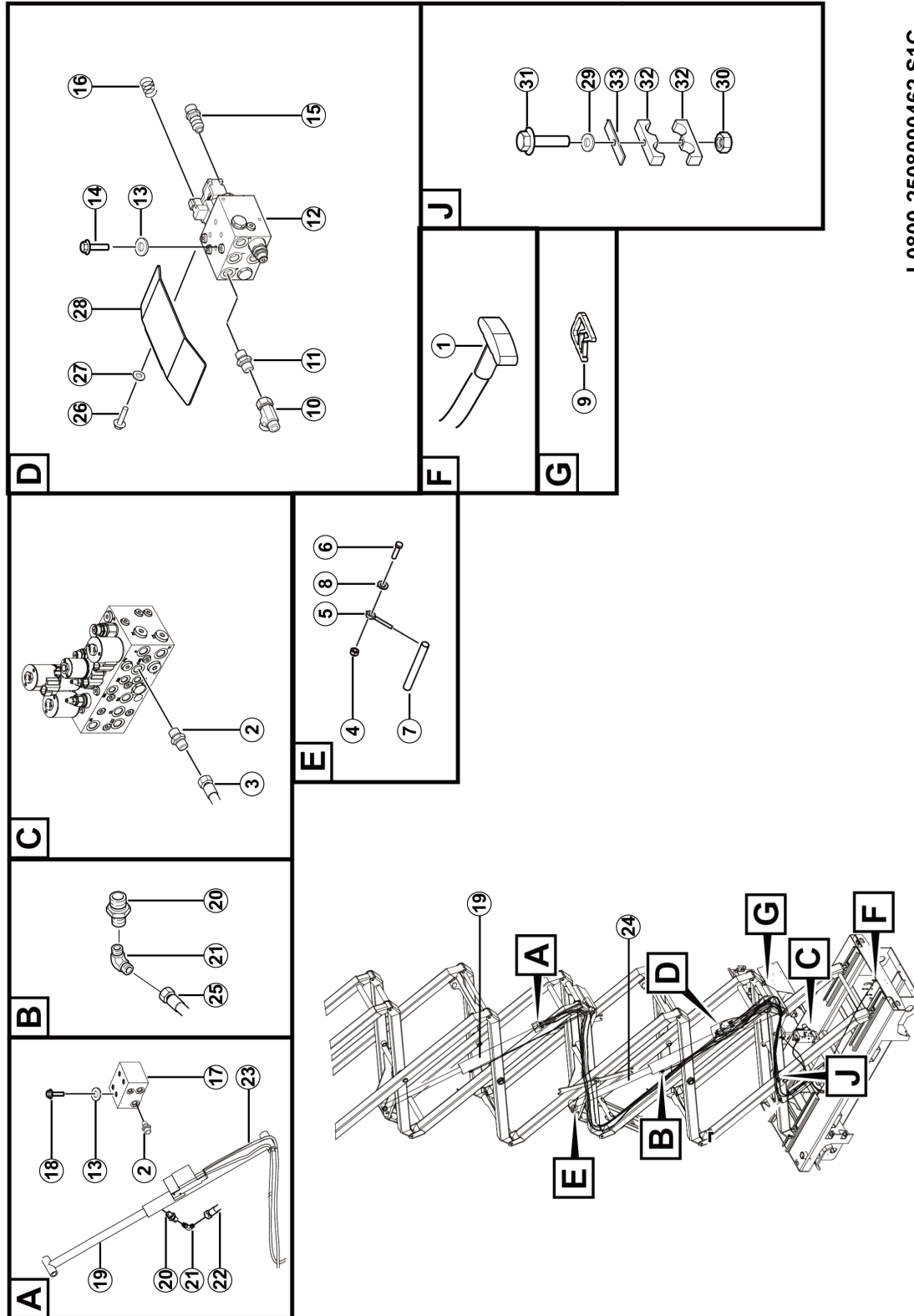


Hydraulic Hose Routing and Fittings

Item	Part No.	Name	Qty.	Remark
1	25080006151	Stay wire assy	1	
2	4120001224	Joint GE12LREDOMDCF	6	
3	4120705943	Hose FC402CACA121206-4800-PG1300	2	
4	4013010296	Nut GB889.1-M10flznyc-8	4	
5	25200000641	Latch	4	
6	4011011046	Bolt GB5783-M10*45flZnyc-8.8-480	4	
7	4016010162	Pin LZB001 A38*272*11	4	
8	4015010339	Washer GB97.1-10flZnyc-300HV-480	8	
9	27320100161	ADHESIVE TAPE	4	
10	4120001168	Tee EL10LOMDCF	1	
11	4120001165	Joint GE10LR3/8EDOMDCF	1	
12	4120703742	Hyd cyl valve manifold assy ST4846-AC0A	1	
13	25080002882	Hard gasket M8	8	
14	4011010821	Bolt GB5782-M8*80flZnyc-12.9-480	4	
15	4120704524	Orifice plate 1.8-M6	1	
16	25080001331	Spring 1.5*15*30	1	
17	4120706622	Upr hyd cyl valve manifold ST4960-AC0B	1	
18	4014010232	Bolt GB5782-M8*70flZnyc-12.9-480	4	
19	4120704504	Lift hyd cyl 75*63*1455-1780	1	
20	4120001188	Joint GE10LREDOMDCF	2	
21	4120001166	Joint EW10LOMDCF	2	
22	4120705941	Hose FC402CACA101005-8900-PG2550	1	

H0800-2508000462.S1C-G2

Lift hyd assy



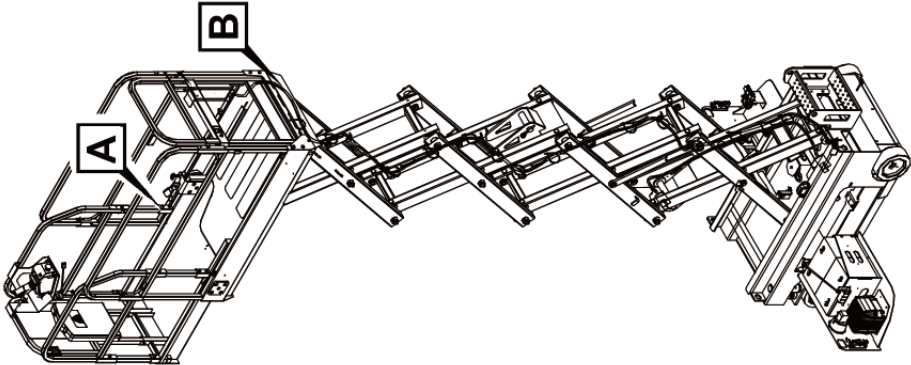
L0800-2508000462.S1C

J

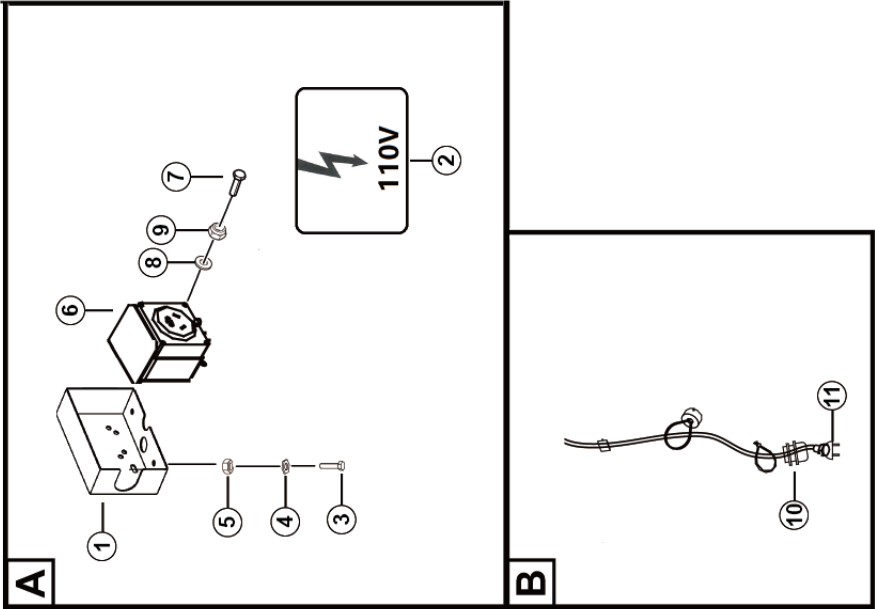
Accessories

J8600-258600003.S1A-G1

Power to platform assy



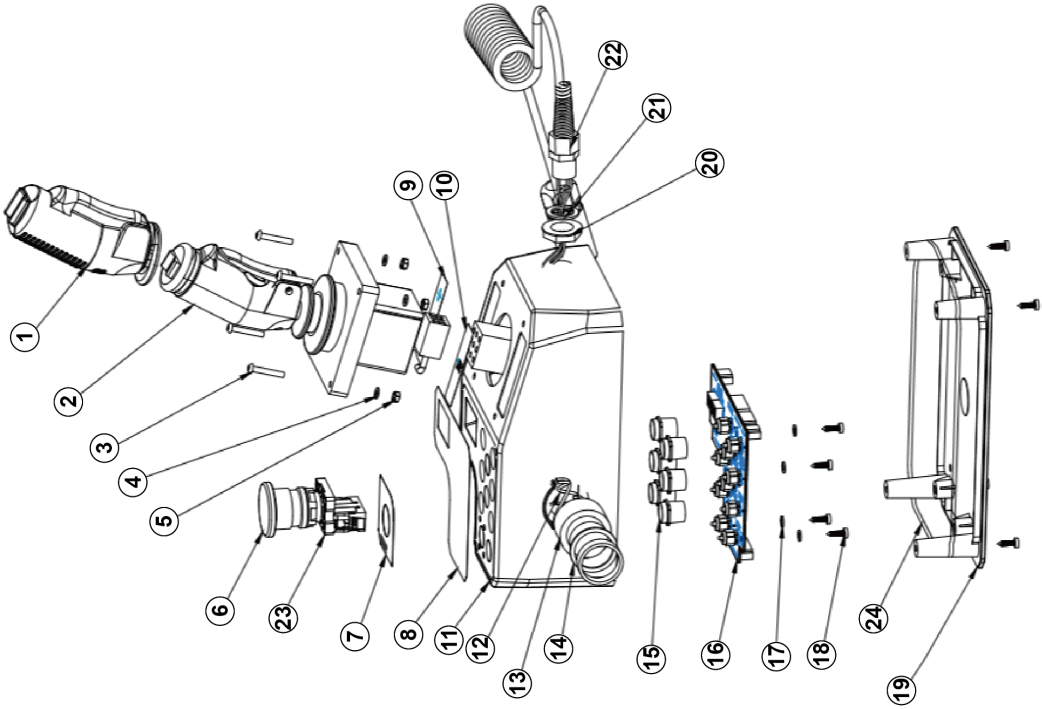
M8600-258600003.S1A



J3100-4130705184-G2

PCU V8 (10553)

M3100-4130705184

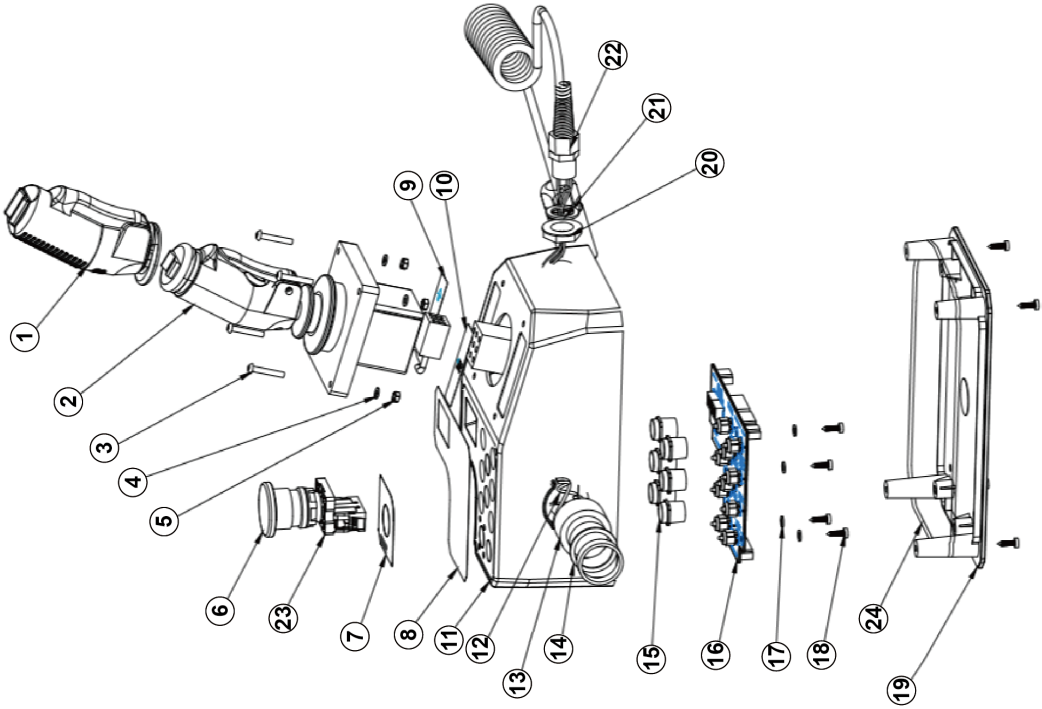


Item	Part No.	Name	Qty.	Remark
1	4130701751012	Handle silicone sheath 20020132	1	
2	4130705242001	Joystick 60020603	1	
3	4130701969004	Bolt 29700079	4	
4	4130701969003	Plain washer 29700051 (Black/M4/ GB97.1/A)	4	
5	4130701969008	Locking nut 29700047 (Thin/M4/DIN985/ B)	4	
6	4130706171001	Emergency stop switch head 10420114	1	
7	4130706171002	Indicator panel 20020576	1	
8	4130704031001	6-key operation panel 20020362 (Yosemite-PCU)	1	
9	4130701751005	Decal-Joystick FR or RR indication 20020091	1	
10	4130701751006	Decal-Joystick LH or RH indicator 20020092	1	
11	4130704031003	Housing 20020415	1	
12	4130705340005	Buzzer harness 10470310	1	
13	4130701636008	Buzzer 10430003 (TDP-36N32P)	1	
14	4130702006001	Buzzer rubber gasket 29700048	1	
15	4130702006002	Switch button cap 20020125	6	
16	4130705242004	PCBA	1	
17	4130701969002	Nylon washer 29700098 (M4*8*1)	4	
18	4130701969007	Screw 29700109	8	
19	4130701751002	Bottom cover 20020107	1	
20	4130702006007	Nut 29700005 (HEYCO8461)	1	
21	4130704031002	Spiral harness gasket 20020221 (Glacier-PCU)	1	
22	4130712958002	Spiral harness 10470083	1	

J3100-4130705184-G2

PCU V8 (10553)

M3100-4130705184



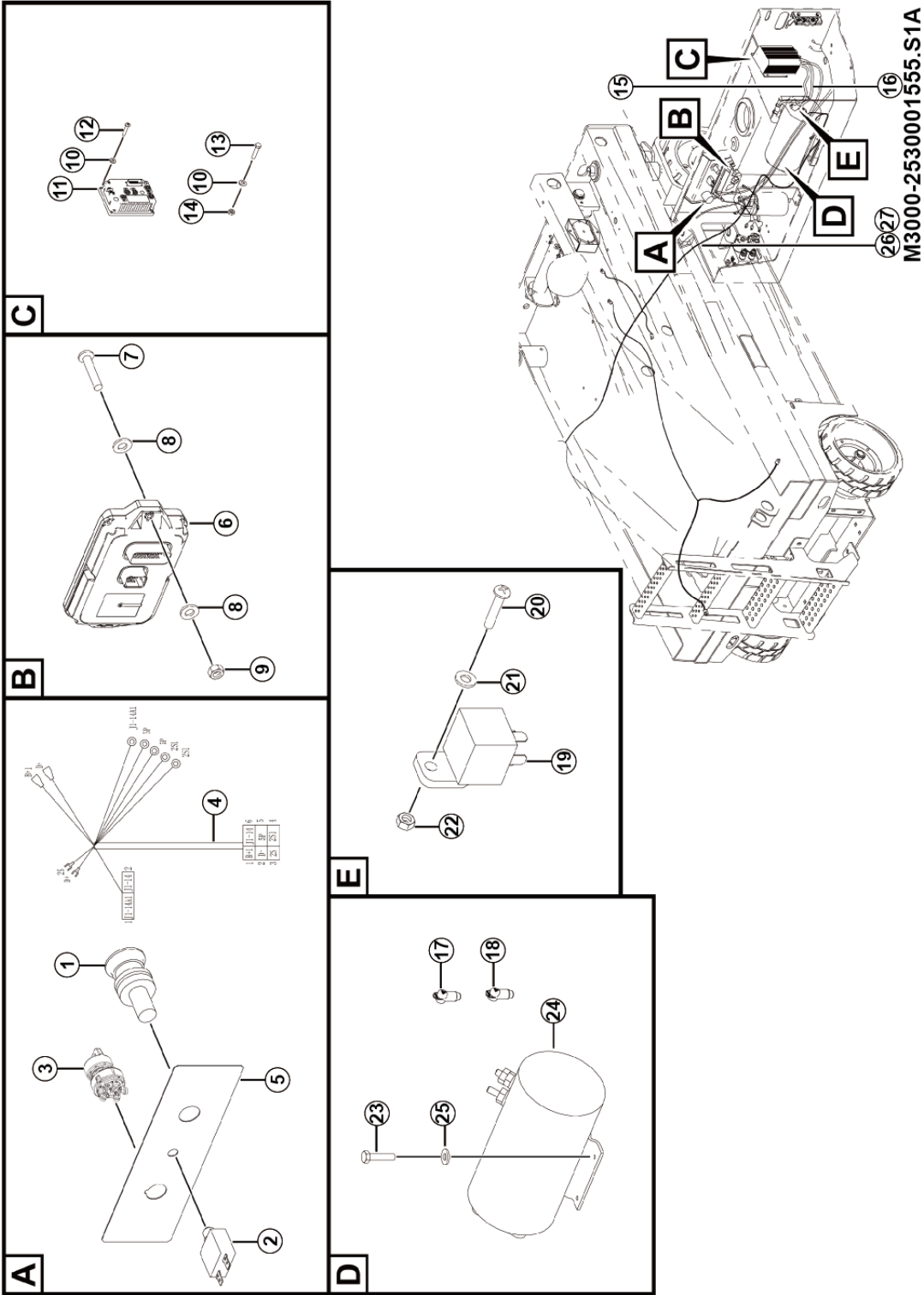
J0000-2500000382-G3

Schematic

No picture

J3000-2530001555.S1A-G1

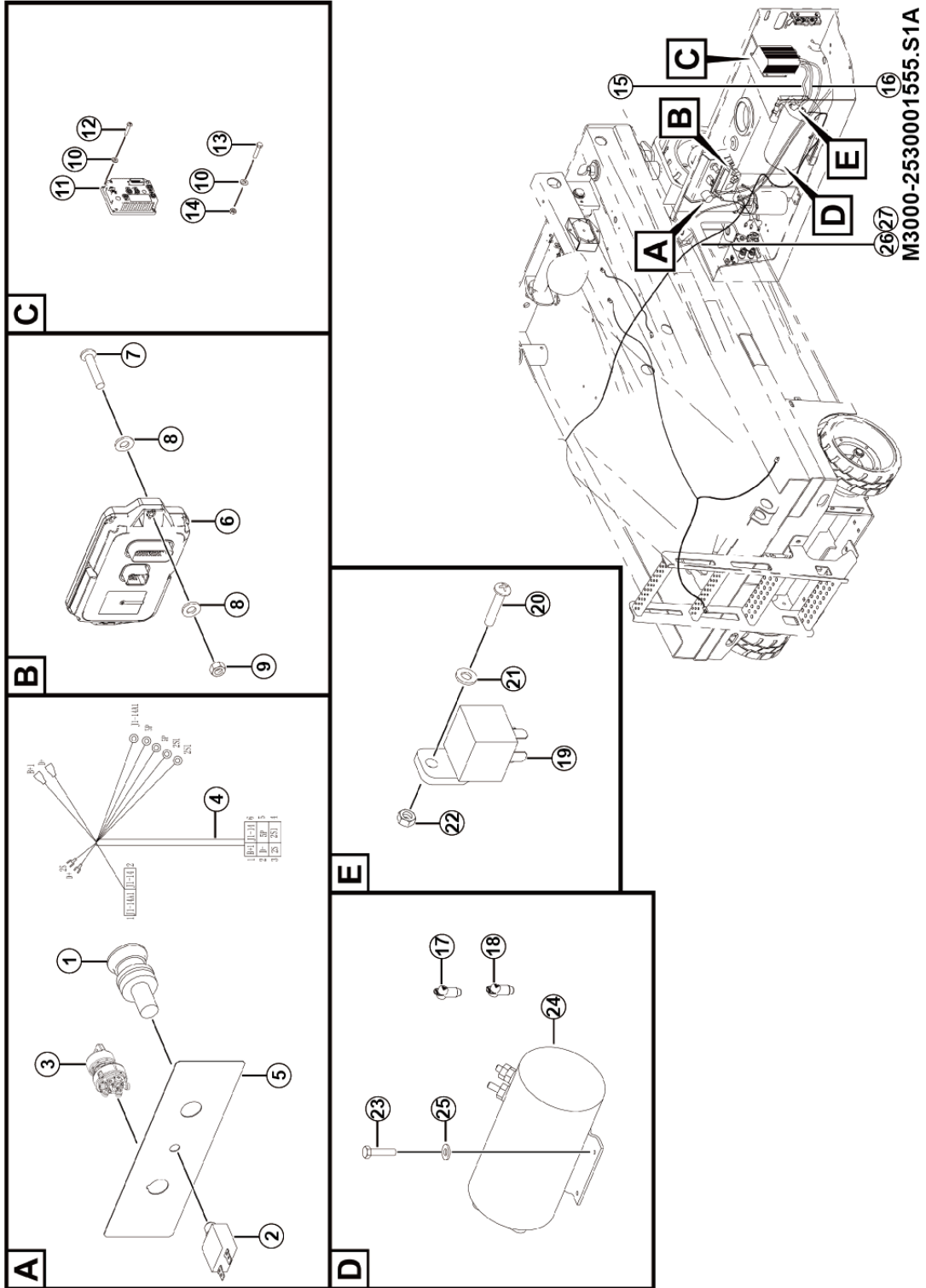
Control elec assy



Item	Part No.	Name	Qty.	Remark
1	4130001280	Emergency stop switch XA2ET42	1	
2	4130000721	Resettable fuse 7A	1	
3	4130000723	Key switch	1	
4	25300015471	Ground control panel harness	1	
5	25320023641	Film	1	
6	4130704030	ELEK control unit 4030	1	
7	4014010123	Screw GB70.1-M5*40flZnyc-8.8-480	2	
8	4015010283	Washer GB97.1-5flZnyc-300HV-480	4	
9	4013010298	Nut GB6170-M5flZnyc-8-480	2	
10	4015010284	Washer GB97.1-6flZnyc-300HV-480	7	
11	4130000717	Motor controller 1204M-4201	1	
12	4014010389	Screw GB70.1-M6*16flZnyc-8.8-480	4	
13	4011010735	Bolt GB16674.1-M6*16flZnyc-8.8-480	3	
14	4013010300	Nut GB889.1-M6flznyc-8-480	3	
15	4045010164	Power cable LZB003 C6*10*700*1.4-R	1	
16	4045010165	Power cable LZB003 C6*10*700*1.4	1	
17	25320015671	Power cable cap (Red)	2	
18	25320015681	Power cable cap (Black)	3	
19	4130000722	Relay HHZ024-1Z6SGR (U)	1	
20	4014010422	Screw GB70.1-M4*16flZnyc-8.8-480	1	
21	4015010290	Washer GB97.1-4flZnyc-300HV-480	2	
22	4013010304	Nut GB6170-M4flZnyc-8-480	1	

J3000-2530001555.S1A-G1

Control elec assy



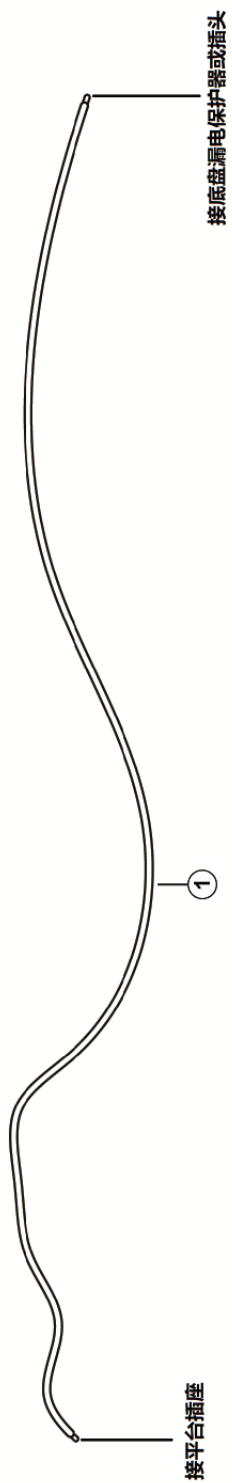


Accessories

Item	Part No.	Name	Qty.	Remark
23	4011010424	Bolt 1/4-20UNC-2B*18-10.9	4	
24	4130001136	Motor XQD-4.5	1	
25	4015010280	Washer GB97.1-8flZnyc-300HV-480	4	
26	25300015672	Main harness	1	
27	25300015461	Twelve core short cable	1	

J3300-2533000753.S-G1

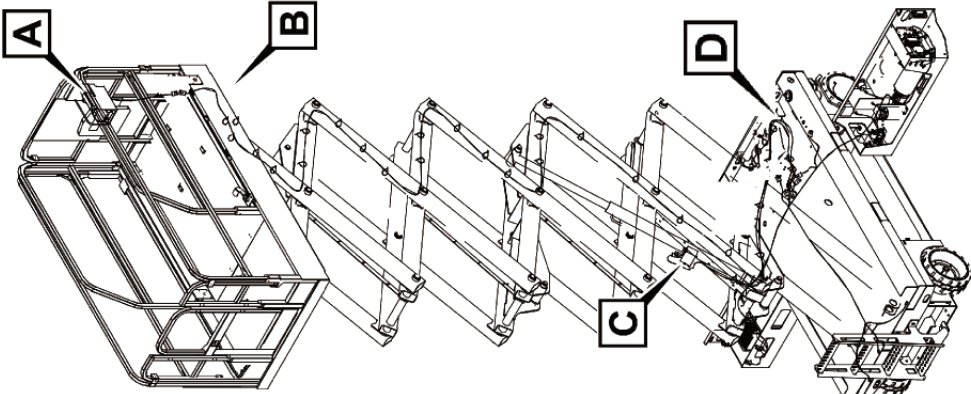
Power cable RVV-NBR



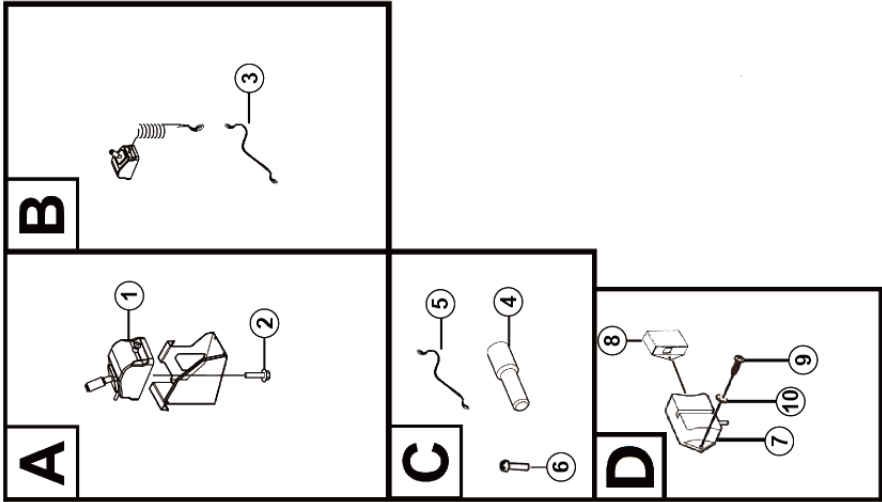
M3300-2533000753.S

J3300-2533001357.S1B-G1

Platform elec sys



M3300-2533001357.S1B



Item	Part No.	Name	Qty.	Remark
1	4130705184	Platform controller V8	1	
2	4011010735	Bolt GB16674.1-M6*16flZnyc-8.8-480	4	
3	25300005462	PCU harness	1	
4	4130701538	Pressure sensor	1	
5	25300009933	Fork harness	1	
6	4014010124	Screw GB818-M4*6flZnyc-4.8-480	2	
7	4130000734	Angle sensor SYSA	1	
8	25320000351	Angle sensor shield	1	
9	4014010125	Screw GB818-M4*10flZnyc-4.8-480	2	
10	4015010290	Washer GB97.1-4flZnyc-300HV-480	4	

Part number index

Part number index



Part No.	Page Number	Part No.	Page Number	Part No.	Page Number
25000201331	155	25180002241	19	25200002751	85
25000300711	155	25180002251	19	25200002761	85
25060000691	31	25180005701	23	25200007141	83
25070000091	119	25180013582	19	25200009921	85
25070000721	119	25180018951	23	25200009931	85
25070000751	121	25180022592	33	25200025122	69
25070002524	127	25180023111	23	25200025132	83
25070002531	127	25190000091	9、35	25200025143	85
25070002543	127	25190000142	43	25200025152	73
25070008394	121	25190000171	11、37	25200025172	85
25080001331	143	25190000181	9、35	25200025282	85
25080002882	143	25190000192	11、37	25200025302	83
25080002911	137	25190000201	9、35	25200025451	83
25080003981	145	25190000212	9、35	25200032111	71
25080005131	145	25190000221	9、35	25200032192	89
25080006151	143	25190000231	9、35	25200032212	71
25080010671	145	25190000242	9、35	25200032221	71
25160000401	15	25190000251	11、37	25200032261	71
25160000572	23、33	25190000291	49	25200032271	93
25160000611	23、33	25190000301	49	25200032301	77
25160000621	15	25190000351	49	25200032311	71
25160000722	39	25190000721	9、35	25200032331	71
25160000731	15	25190000981	9、35	25200032351	75
25160001342	127	25190000991	9、35	25200032361	71
25160002421	23、33	25190002685	9	25200032381	71
25160004253	23、33	25190002695	35	25200032391	91
25160004731	15	25190003181	49	25200032411	71
25160040493	45	25190003402	9、35	25200032421	71
25160044141	15	25200000141	9、35、61、65...	25200032431	71
25170000151	39	25200000402	23、33、83	25200032441	61
25170000161	15	25200000443	83	25200032451	71
25170001431	39	25200000491	83	25200032461	79
25170004651	39	25200000601	83	25200032491	81
25170004751	39	25200000641	83、143	25200032501	71
25170004761	39	25200001291	69、73	25200032511	71
25180001452	23、33	25200001351	63、95	25200032521	65
25180001462	23、33	25200001531	83	25200034313	83
25180001472	23、33	25200001541	83	25200036461	85
25180002181	21	25200001863	67	25200036561	85

Part No.	Page Number	Part No.	Page Number	Part No.	Page Number
25200036681	85	25280000031	57	25340019721	5
25200036691	85	25280001381	57	25340019731	5
25200038481	83	25280001821	57	25340020731	3
25210000821	103	25290002785	45	25340021011	5
25210002071	109	25290002792	41	25340021031	5
25210002891	113	25290006374	29	25340031042	5
25210002901	113	25290023081	45	25340033361	3
25210002911	113	25300005462	163	25340034331	3
25210011051	109	25300005821	107	25340034781	5
25210011172	99、113	25300009933	163	25340036241	3
25210011182	99、113	25300015461	159	25340036411	3
25210011192	99、113	25300015471	157	25340036531	5
25210012192	113	25300015672	159	25340036541	3
25210012251	113	25320000192	47	25340040751	3
25210013702	103	25320000351	163	25340042011	5
25210021043	99	25320000571	47	25340042181	5
25210030191	99	25320002461	47	25860000021	149
25210030211	113	25320006271	19	27320100161	121、143
25210035921	111	25320013901	19	28219900091	15
25210036501	113	25320015381	85	4011000049	109
25210036513	109	25320015671	21、157	4011000611	109
25210036671	107	25320015681	21、157	4011000680	149
25210038694	103	25320023641	157	4011010210	41
25210041872	107	25320025201	21	4011010424	159
25210041901	107	25320025572	47	4011010427	67
25210041911	107	25330007531	161	4011010706	83
25210047713	113	25340000151	5	4011010707	83
25210047751	103	25340000191	3	4011010711	23、33、119、149
25210047761	103	25340000341	3	4011010712	31
25210047804	103	25340002471	5	4011010717	23、33
25210049271	105	25340002721	3	4011010722	57
25210065411	99	25340002831	3	4011010724	83
25210066361	107	25340003041	29	4011010728	69、73
25210068861	101	25340007091	3	4011010732	99
25210071731	103	25340015061	3	4011010735	19、119、157、163
25210071751	103	25340018031	149	4011010741	113
25210072611	103	25340019211	5	4011010743	23、31
25210072631	103	25340019681	3	4011010744	25
25210073171	99	25340019691	3	4011010746	107

Part number index



Part No.	Page Number	Part No.	Page Number	Part No.	Page Number
4011010747	45	4014010121	47	4016010138	9、35
4011010748	45	4014010122	47、85	4016010143	31、119
4011010757	103	4014010123	47、157	4016010162	143
4011010821	143	4014010124	163	4019010177	113
4011010885	119	4014010125	163	4019010209	103
4011010908	23、33	4014010127	47	4019010279	111
4011010919	103	4014010128	85	4019010341	5
4011010970	47	4014010132	21、85	4021010017	111
4011010976	103	4014010181	145	4030000065	39
4011010978	57	4014010232	143	4043010163	85
4011010987	145	4014010338	23	4043010164	83
4011010994	19、121	4014010353	47	4043010165	83
4011011014	39	4014010357	107	4043010166	83
4011011017	121	4014010389	157	4045010071	19
4011011021	31	4014010419	21	4045010073	21
4011011023	121	4014010422	157	4045010076	21
4011011026	113	4015000162	67	4045010090	19
4011011046	143	4015000177	41	4045010152	19
4011011061	19	4015000197	109	4045010159	21
4011011065	31	4015000207	109	4045010163	21
4011011073	119	4015010269	83	4045010164	157
4011011165	9、35	4015010278	57、113	4045010165	157
4011011168	107	4015010280	19、23、33、47...	4045010178	21
4011011195	113	4015010283	19、47、107、157	4110705349	13
4013000189	67、109	4015010284	19、23、33、45...	4120000015	39
4013000211	109	4015010286	39	4120001127	31
4013010296	9、35、83、113...	4015010289	11、31、37、113...	4120001127001	17
4013010297	11、19、37、103...	4015010290	21、47、157、163	4120001127002	17
4013010298	157	4015010295	127	4120001127003	17
4013010300	69、73、103...	4015010296	85	4120001127004	17
4013010303	23	4015010338	9、35	4120001127005	17
4013010304	21、47、157	4015010339	9、31、35、45...	4120001127006	17
4013010305	19	4015010340	31、57、119	4120001127007	17
4013010314	107	4015010342	9、35	4120001127008	17
4013010315	39	4015010345	19、85	4120001127009	17
4013010368	31、119	4015010375	23、33	4120001127010	17
4013010371	103	4015010560	85	4120001127011	17
4014010112	85	4016010136	9、35	4120001127012	17
4014010120	21	4016010137	9、35	4120001127013	17



Part number index

Part No.	Page Number	Part No.	Page Number	Part No.	Page Number
4120001127014	17	4120002355	121	4120706622	143
4120001128	119	4120002398	117	4120707646	121
4120001128001	131	4120002399	117	4120708248010	51
4120001128002	131	4120702961	51	4120708309	31
4120001128003	131	4120703601	119	4120708309001	51
4120001159010	117	4120703639013	51	4120708309002	51
4120001165	143	4120703639019	51	4120708309003	51
4120001166	143	4120703639021	51	4120708722-002	119
4120001168	143	4120703742	143	4120709963	145
4120001170	31、127	4120703742001	117	4120710053-004	119
4120001177	31、127	4120703742011	117	4129900116002	51、117
4120001188	143	4120703744003	117	4129900308	121
4120001224	119、143	4120703783	121	4129900314	119
4120001373	119	4120704166001	51	4130000717	157
4120001375	121	4120704166002	51	4130000721	157
4120001431002	123	4120704255002	51	4130000722	157
4120001431003	123	4120704255006	51	4130000723	157
4120001431004	123	4120704261	121	4130000729	47
4120001431005	123	4120704503	145	4130000734	163
4120001431006	123	4120704503010	135	4130000797	19
4120001431007	123	4120704504	143	4130000836	21
4120001431008	123	4120704504007	125	4130000906	19
4120001431013	123	4120704524	143	4130000956	21
4120001488	119	4120704616	31	4130001050	149
4120001488001	123	4120704747	127	4130001123	21
4120001488002	123	4120704747007	133	4130001136	159
4120001488003	123	4120704860	31	4130001187	149
4120001488004	123	4120705127001	51	4130001280	157
4120001488005	123	4120705458	127	4130701488	47
4120001488006	123	4120705459	127	4130701538	163
4120001490002	51	4120705461	145	4130701636008	151
4120001490007	51、117	4120705469	31	4130701751002	151
4120001493	51	4120705472-001	121	4130701751005	151
4120001901001	51、117	4120705472-002	121	4130701751006	151
4120001901002	51	4120705472-003	121	4130701751012	151
4120001949	121	4120705941	143	4130701969002	151
4120002061	121	4120705943	143	4130701969003	151
4120002235	119	4120705971-003	119	4130701969004	151
4120002315	31	4120706474-004	119	4130701969007	151

Part number index



Part No.	Page Number	Part No.	Page Number	Part No.	Page Number
4130701969008	151				
4130702006001	151				
4130702006002	151				
4130702006007	151				
4130702085	19				
4130702481	19				
4130702615	47				
4130702616	47				
4130704030	157				
4130704031001	151				
4130704031002	151				
4130704031003	151				
4130704059	19				
4130704557	149				
4130705184	163				
4130705242001	151				
4130705242004	151				
4130705340005	151				
4130706171001	151				
4130706171002	151				
4130706171004	153				
4130706177001	153				
4130712958002	151				
4190000147	121				
4190000698	31				
4190001419	51				
4190001525	109				
4190001587	103				
4190002249	23				
4190002250	33				
4190002586	103				
4190703890	103				
4190704301	87				
4190706939	23、33				
4190707135	85				
4190711323	5				